

AN3821K

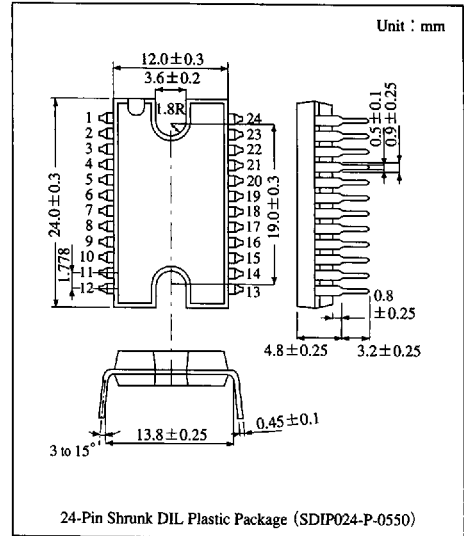
Capstan Direct-Drive Motor Drive IC for VCR

Overview

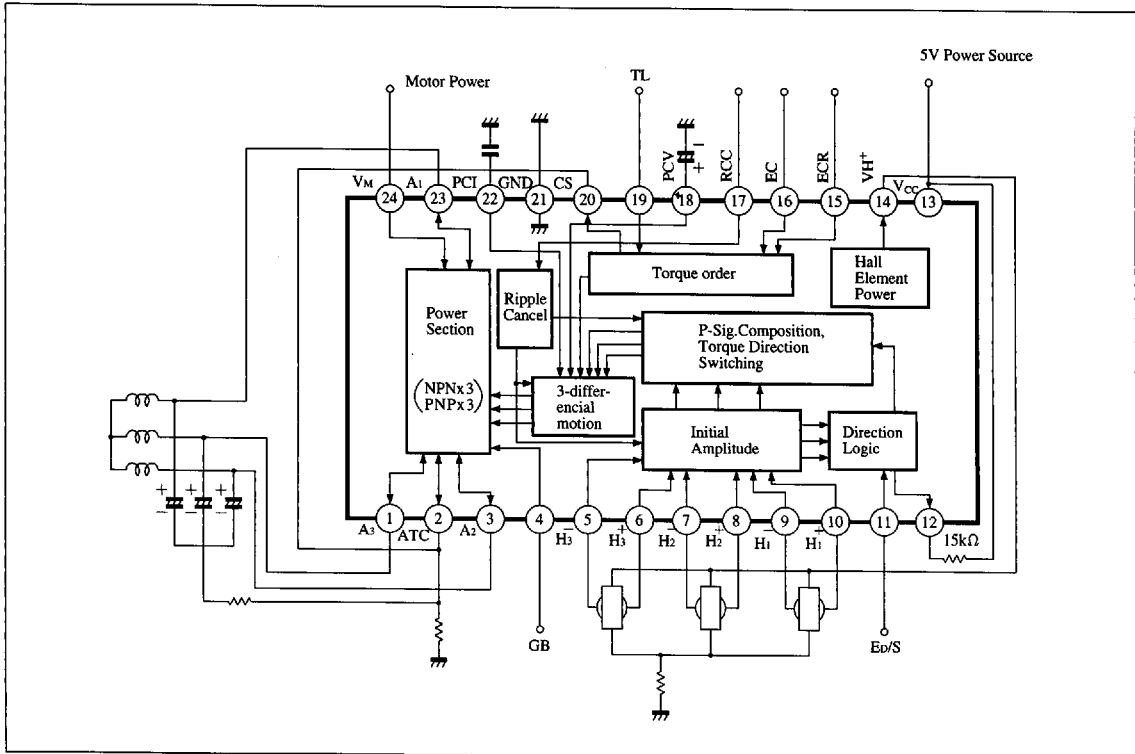
The AN3821K is an integrated circuit designed for a VCR capstan direct-drive motor drive.

Features

- Three-phase full-wave operation
- Built-in output transistors
- Built-in torque ripple canceller circuit
- Max. output current ($I_{o\ max}$) : 1.5A
- Max. motor voltage (V_M) : 24V
- Supply voltage : 5V



Block Diagram



6932852 0014552 3T6

Panasonic