

AN6391NK, AN6391NS

FM-Audio-Signal Processing ICs for VCR

Overview

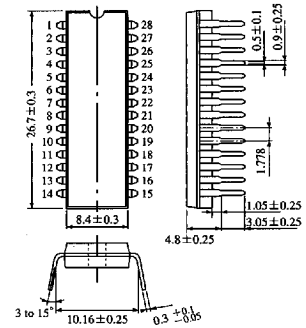
The AN6391NK and The AN6392NS are integrated circuits designed for VCR FM-audio-signal processing circuit.

Features

- Operate in low power supply voltage : $V_{CC} = 5V$
- Respond to FM-mod/demodulation of wide frequency deviation.
- Stable temperature characteristics of VCO.
- Built-in automatic muting circuit and externally forced muting circuit.
- Built-in earphone amplifier circuit.

AN6391NK

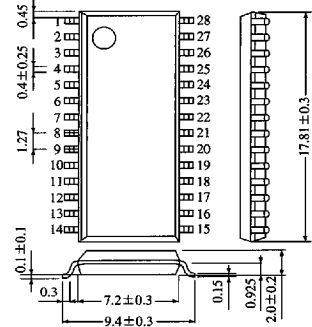
Unit : mm



28-Pin Shrink DIL Plastic Package (SDIP028-P-0400A)

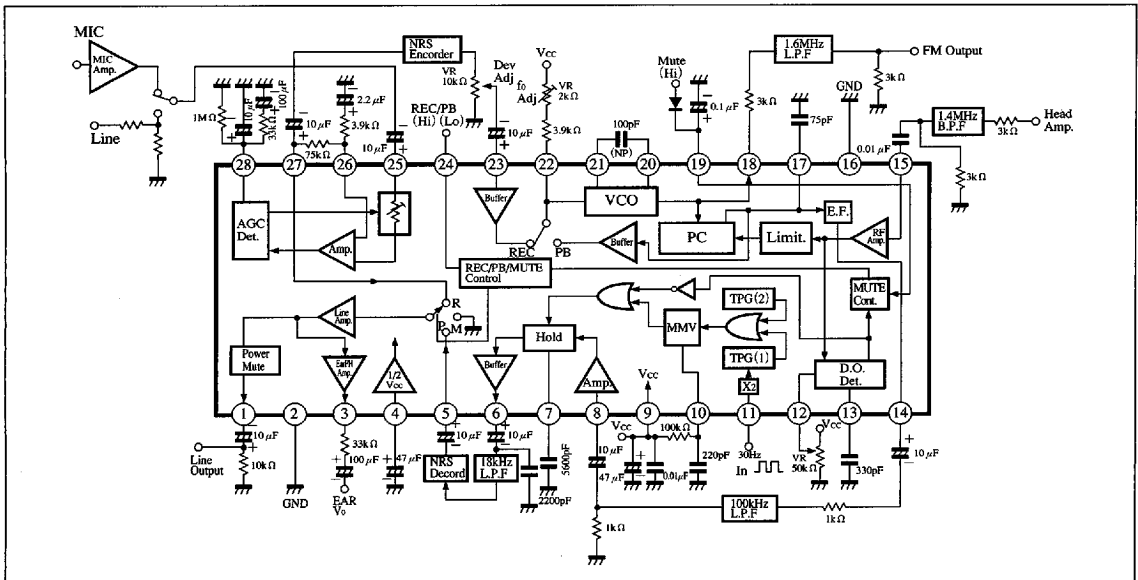
AN6391NS

Unit : mm



28-Pin PANAFLAT Package (SOP028-P-0375A)

Block Diagram



6932852 0014617 182

Panasonic

■ Pin Descriptions

Pin No.	Pin name	Pin No.	Pin name
1	Line amp. output	15	RF input
2	GND	16	GND
3	Earphone amp. output	17	C for PLL LPF
4	$(V_{CC} + V_D)/2$	18	VCO output
5	Line amp. input	19	Mute control
6	Hold amp. output	20	VCO cap.
7	Hold cap.	21	VCO cap.
8	Hold amp. input	22	VCO freq. adjustment
9	V_{CC}	23	FM demodulation input
10	MMV	24	REC/PB control
11	30Hz PG input	25	AGC input
12	Dropout sensitivity adjustment	26	AGC NF
13	Dropout detection	27	AGC output
14	FM demodulation output	28	AGC detection

ICs for
VCR

■ 6932852 0014618 019 ■

Panasonic