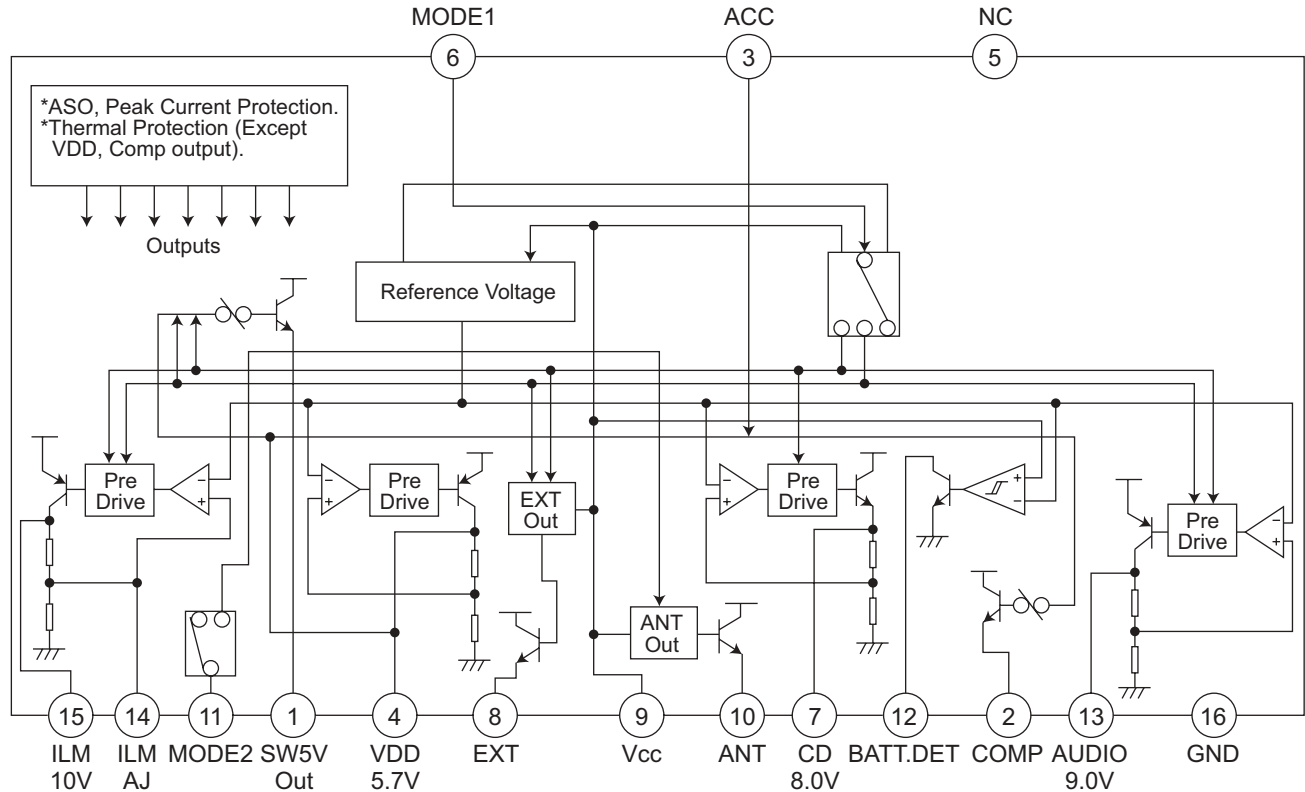


4.2 AN80T07 (IC901) : Regulator

- Block diagram



- Pin function

| Pin No. | Symbol | Function |
|---------|--------------------------|--|
| 1 | SW5V Output | When Mode 1 pin is "M", "H" SW output is VDD -0.7V (I _o =100mA min). |
| 2 | COMP Output | When ACC input pin is "H" COMP Output is VDD -0.7V (I _o =100mA min). |
| 3 | ACC Input | L: COMP Output OFF and H: COMP Output ON |
| 4 | VDD Output | 5.7V Output voltage for a microcontroller (I _o =100mA min). |
| 5 | NC | NC pin |
| 6 | MODE1 | 3 Input "L", "M", "H" control pin |
| 7 | CD Output | When Mode 1 pin is "H" CD output is 8V (I _o =1200mA min). |
| 8 | EXT Output | When Mode 1 pin is "M", "H" EXT output is V _{cc} -1.0V (I _o =300mA min). |
| 9 | VCC | Connected to car BACKUP Power supply. |
| 10 | ANT Output | When Mode 2 pin is "H" ANT output is V _{cc} -1.0V (I _o =300mA). |
| 11 | MODE2 | L: ANT Output OFF and H: ANT Output ON |
| 12 | BATT.DET | NPN Transistor open collector Output (When battery is lower then 9V "L") |
| 13 | Audio Output | When Mode 1 pin is "M", "H" Audio output is 9V (I _o =500mA min). |
| 14 | ILM AJ | ILM (Illumination) Output adjustable pin. |
| 15 | ILM(Illumination) Output | When Mode 1 pin is "M", "H" ILM output is 10V (I _o =300mA min). |
| 16 | GND | Connected to the IC substrate. |