

# 3-phase motor driver

## BA6458FP-Y

The BA6458FP-Y is a one-chip IC designed for driving video cassette recorder cylinder motors. It is a high-performance IC with a 3-phase, full-wave, pseudo-linear drive system. The IC is compactly packaged.

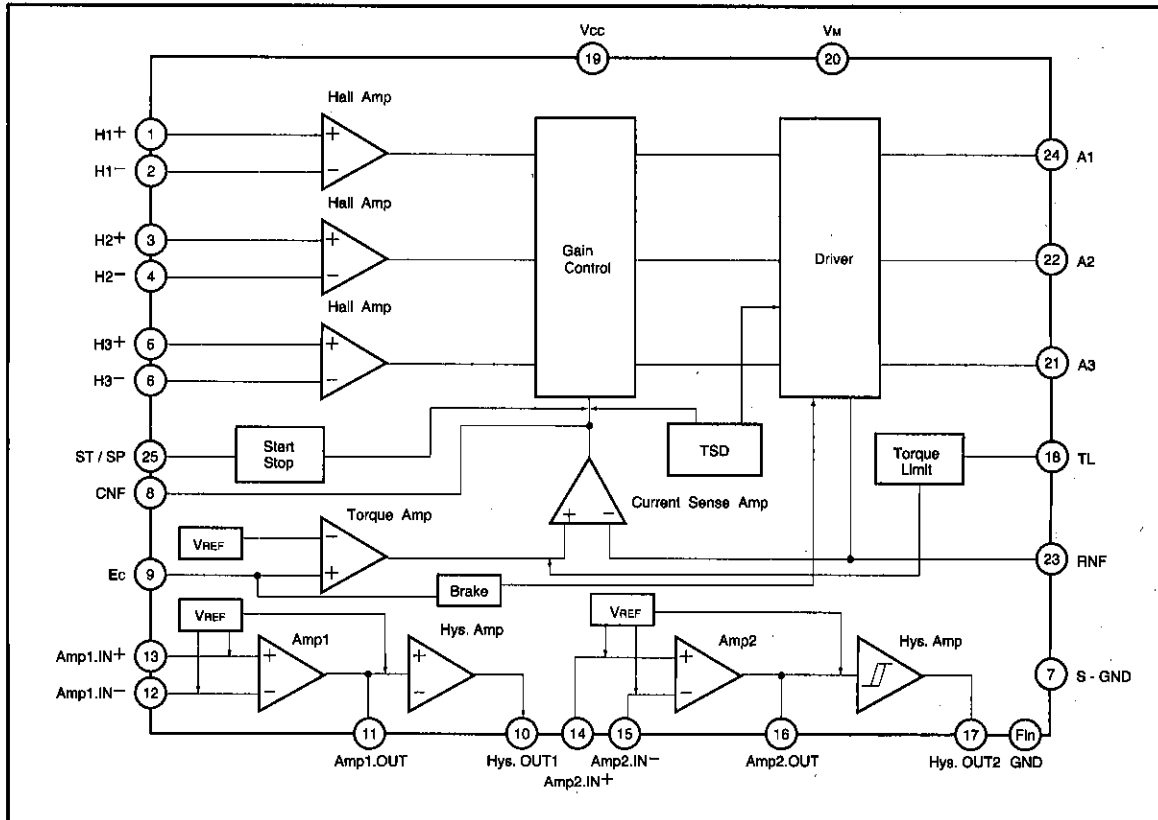
●Applications

Video cassette recorder cylinder motors

●Features

- 1) 3-phase, full-wave, pseudo-linear drive system.
- 2) Output saturation voltage is low with low variation.
- 3) Built-in torque limit pin.
- 4) Contains two amplifiers and two hysteresis amplifiers to amplify FG and PG signals.
- 5) Built-in thermal shutdown circuit.

●Block diagram



Three-Phase Full-Wave Motor Drivers for Cylinder Motors

● Absolute maximum ratings (Ta=25°C)

Parameter	Symbol	Limits	Unit
Power supply voltage	V <sub>CC</sub>	7	V
Power supply voltage	V <sub>M</sub>	24	V
Power dissipation	P <sub>d</sub>	1450*1	mW
Operating temperature	T <sub>opr</sub>	-20~75	°C
Storage temperature	T <sub>stg</sub>	-55~150	°C
Output current	I <sub>out</sub>	1300*2	mA

Mounted on a glass epoxy PCB (90 X 50 X 1.6 mm).

\*1 Reduce power by 11.6 mW for each degree above 25°C.

\*2 Should not exceed Pd- or ASO-value.

● Recommended operating conditions (Ta=25°C)

Parameter	Symbol	Min.	Max.	Unit
Operating power supply voltage	V <sub>CC</sub>	4.25	5.50	V
Operating power supply voltage	V <sub>M</sub>	3.0	20	V

● Electrical characteristic curves

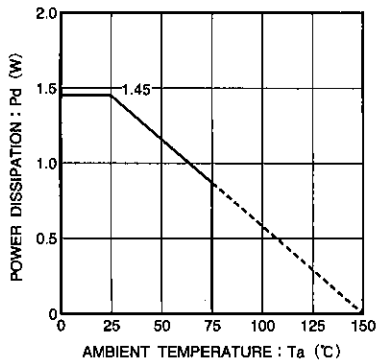


Fig.1 Power dissipation curves

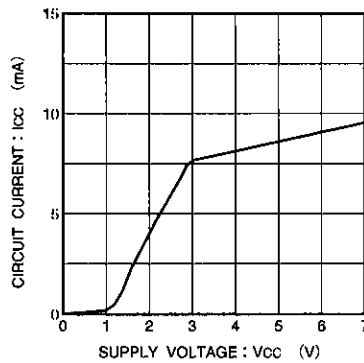


Fig.2 Circuit current vs. supply voltage

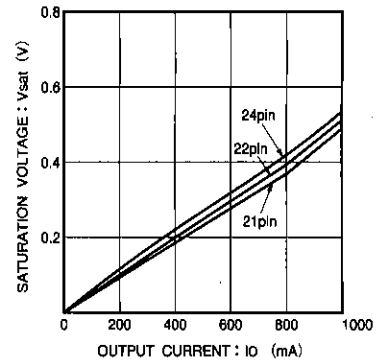


Fig.3 Low-side output saturation voltage vs. output current

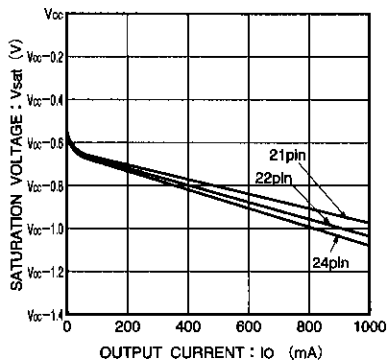


Fig.4 High-side output saturation voltage vs. output current

●Electrical characteristics (Unless otherwise noted,  $T_a=25^\circ\text{C}$ ,  $V_{CC}=5\text{V}$ ,  $V_M=12\text{V}$ )

Parameter	Symbol	Min.	Typ.	Max.	Unit	Conditions
Circuit current	$I_{CC}$	—	8.5	13.0	mA	
(MDA)						
Hall input bias current	$I_{BH}$	—	0.5	5.0	$\mu\text{A}$	$H^+=\text{High}$ , $H^-=\text{Low}$ or $H^-=\text{High}$
Hall input common-mode voltage	$V_{HB}$	1.5	—	4.0	V	
Hall in-phase input voltage range	$V_{INH}$	60	—	—	mV <sub>P-P</sub>	
Torque control input voltage range	$E_C$	0	—	5.0	V	
Torque control voltage offset	$E_{COFF}$	-150	0	150	mV	For $E_C = 2.3\text{V}$
Output idle voltage	$E_{IDLE}$	—	0	10	mV	$E_C=2\text{V}$ , $R_{NF}=0.5\Omega$
Servo input current	$E_{CIN}$	—	1.0	5.0	$\mu\text{A}$	$E_C=2.5\text{V}$
Input / output gain	$G_{EC}$	0.420	0.510	0.600	A / V	Measured at $E_C = 2.8\text{V}$ , $3.3\text{V}$ ; $R_{NF} = 0.5\Omega$
Start/stop ON voltage	$V_{S/S ON}$	3.5	—	—	V	
Start/stop OFF voltage	$V_{S/S OFF}$	—	—	1.2	V	
HIGH level output saturation voltage	$V_{OH}$	10.4	11.1	—	V	$I_O=600\text{mA}$
LOW level output saturation voltage	$V_{OL}$	—	0.3	0.9	V	$I_O=600\text{mA}$
Output drive current capacity	$I_O$ (Max.)	800	—	—	mA	$R_{NF}=0.5\Omega$ $T_J=25^\circ\text{C}$ *
Torque limit current	$I_{TL}$	520	650	780	mA	$T_L=0.4\text{V}$ , $R_{NF}=0.5\Omega$
(Amp1, Amp2)						
Input impedance	$R_{BA}$	14	20	26	k $\Omega$	
Open loop gain	$G_A$	65	70	—	dB	$f=500\text{Hz}$
DC bias voltage	$V_{BA}$	2.20	2.45	2.70	V	
HIGH level output voltage	$V_{OH A}$	3.6	4.0	—	V	$I_{OA}=0.5\text{mA}$
LOW level output voltage	$V_{OL A}$	—	0.9	1.3	V	$I_{OA}=0.5\text{mA}$
Amp1, Amp2 input voltage range	$V_{AB}$	1.2	—	4.0	V	
(Schmitt trigger amplifiers)						
Hysteresis width	$V_{HYS}$	$\pm 112$	$\pm 150$	$\pm 188$	mV	
DC bias voltage	$V_{BHYS}$	2.20	2.45	2.70	V	
LOW level output voltage	$V_{OLHYS}$	—	0.1	0.3	V	$I_{OLHYS}=2\text{mA}$
Output pull-up resistance	$R_{BHYS}$	7.0	10.0	13.0	k $\Omega$	

\*  $T_J$  is chip junction temperature.

© Not designed for radiation resistance

### ● Circuit operation

(1) The 3-phase Hall signal is amplified in the hall amplifiers and sent to the matrix section, where the signal is further amplified and combined. After the signal is converted to a current in the amplitude control circuit, the current is supplied to the output driver, which then provides a motor drive current. The phases of the Hall input signal, output voltage, and output current are shown in Fig. 5.

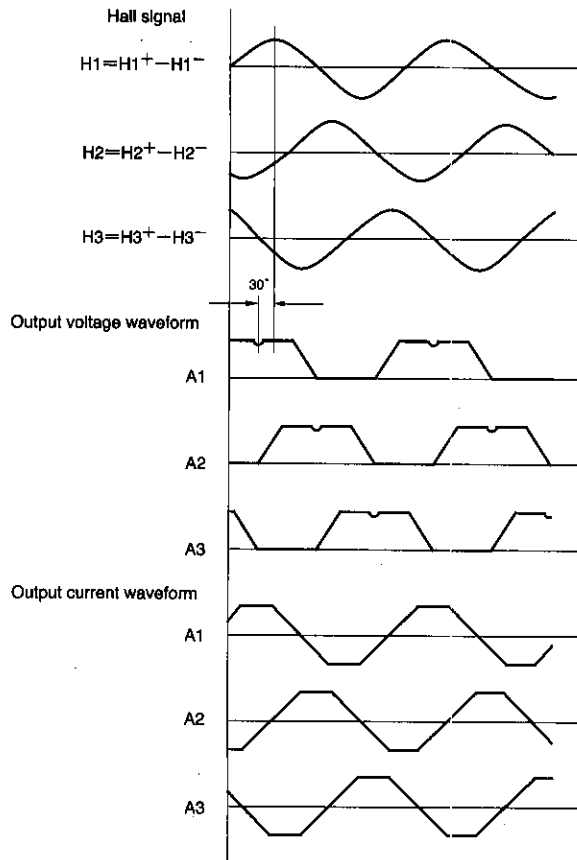


Fig. 5

### (2) Torque control pin

The output current can be controlled by adjusting the voltage applied to the torque control pin (9 pin).

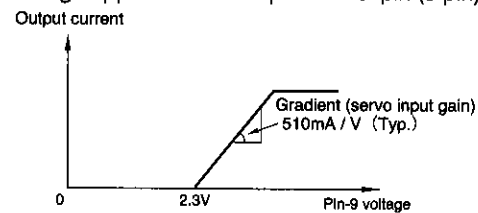


Fig. 6

### (3) Start/stop pin

The motor is in the run mode when the pin input voltage is 3.5V or more and in the idle mode (all output transistors are off) when the voltage is 1.2V or less.

### (4) Power ground pin ( $R_{NF}$ pin)

The  $R_{NF}$  pin is the output stage ground pin. Connect a resistor (0.5Ω recommended) between this pin and the ground to monitor the output current.

### (5) Torque limit pin (TL pin)

The output current can be limited by applying a voltage to the torque limit pin. Control is provided so that this pin will have the same potential as the  $R_{NF}$  pin. Note that there is an offset in the TL-pin voltage.

### (6) Phase compensation pin ( $C_{NF}$ pin)

Connect a capacitor between this pin and  $V_{CC}$  if the output tends to oscillate.

### (7) Amplifiers 1 and 2

Amplifiers 1 and 2 have an open loop gain of about 70dB (typical). The input terminals are biased internally to 2.45V (typical).

### (8) Hysteresis amplifiers

The hysteresis amplifiers have a hysteresis width of  $\pm 120\text{mV}$  (typical). The input terminals are biased internally.

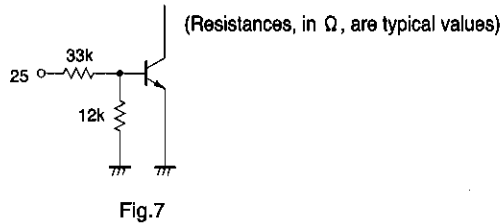
● Pin descriptions

Pin No.	Pin name	Function	Pin No.	Pin name	Function
1	H1 <sup>+</sup>	Hall signal input pin	14	Amp2 IN <sup>+</sup>	Amplifier 2 input, non-inverted
2	H1 <sup>-</sup>	Hall signal input pin	15	Amp2 IN <sup>-</sup>	Amplifier 2 input, inverted
3	H2 <sup>+</sup>	Hall signal input pin	16	Amp2 OUT	Amplifier 2 output pin
4	H2 <sup>-</sup>	Hall signal input pin	17	Hys. OUT2	Schmitt trigger amplifier 2 output pin
5	H3 <sup>+</sup>	Hall signal input pin	18	TL	Torque limit pin
6	H3 <sup>-</sup>	Hall signal input pin	19	V <sub>CC</sub>	Power supply pin
7	S-GND	Signal ground pin	20	V <sub>M</sub>	Motor power supply pin
8	CNF	Capacitor connection pin for phase compensation	21	A3	Output pin
9	Ec	Output current control pin	22	A2	Output pin
10	Hys. OUT1	Schmitt trigger amplifier 1 output pin	23	RNF	Output current sensing pin
11	Amp1 OUT	Output pin for amplifier 1 and schmitt trigger amplifier 1	24	A1	Output pin
12	Amp1 IN <sup>-</sup>	Amplifier 1 input, inverted	25	ST / SP	Start/stop switching pin
13	Amp1 IN <sup>+</sup>	Amplifier 1 input, non-inverted	FIN	FIN	Be sure to connect this radiation fin to the ground.

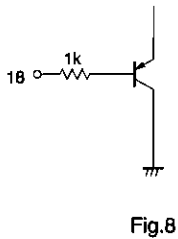
● Operation notes

1. Input/output circuit

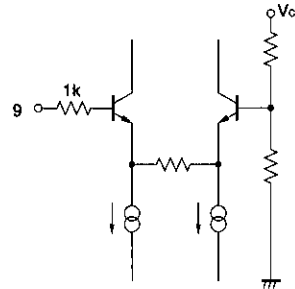
(1) Start/stop switching pin (25 pin)



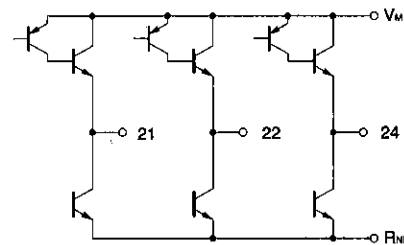
(2) Torque limit pin (18 pin)



(3) Torque control input (9 pin)



(4) Driver output (A1: 24 pin, A2: 22 pin, A3: 21 pin)



● Operation notes

(5) Hall input

(H1<sup>+</sup>: 1 pin, H1<sup>-</sup>: 2 pin, H2<sup>+</sup>: 3 pin, H2<sup>-</sup>: 4 pin, H3<sup>+</sup>: 5 pin, H3<sup>-</sup>: 6 pin)

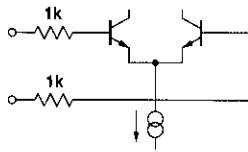
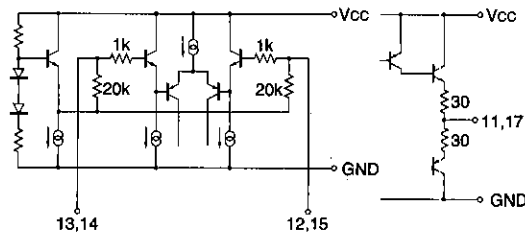


Fig.11

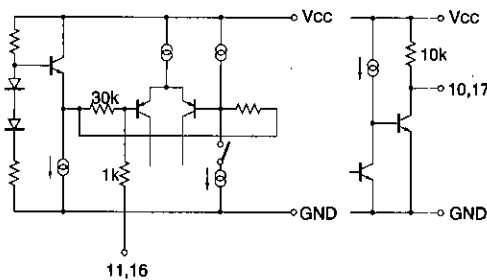
(6) I/O of amplifiers 1 and 2



(Resistances, in  $\Omega$ , are typical values)

Fig.12

(7) I/O of hysteresis amplifiers



(Resistances, in  $\Omega$ , are typical values)

Fig.13

\* Note that resistance values of the I/O circuits can vary  $\pm 30\%$

2. Torque control

The  $R_{NF}$ -pin output voltage is plotted against the torque control input voltage ( $E_c$ ) in Fig. 14.

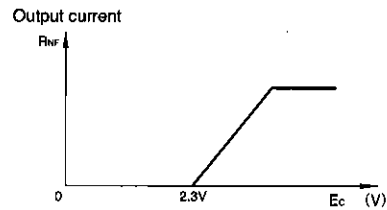


Fig.14

3. Start/stop pin

The I/O equivalent circuit of the start/stop pin is shown in 1. (1) of "Precautions for use." The pin has a temperature dependence of  $-7mV/^{\circ}C$ , and the resistance can vary  $\pm 30\%$ . Take the temperature effect into consideration when designing your application.

4. Hall input

The I/O equivalent circuit of the Hall input pins is shown in 1. (5) of "Precautions for use." The Hall devices can be connected in either series or parallel.

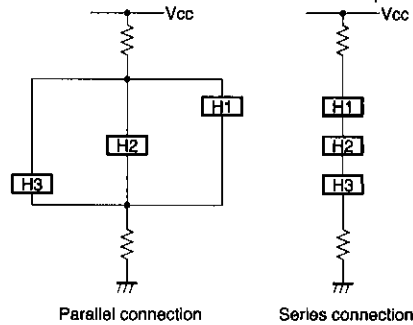


Fig.15

5. Torque limit pin (18 pin)

The output current can be limited by applying a voltage to the torque limit pin. Control is provided so that this pin will have the same potential as the power ground pin. Note that there is a voltage offset on this pin. The  $R_{NF}$ -pin voltage is 0.325V when the TL-pin voltage is 0.4V (typical) and the  $R_{NF}$ -pin resistance is 0.5  $\Omega$ . Note that the voltage offset changes with the  $R_{NF}$ -pin resistance.

6. Amplifiers 1 and 2

Unpredictable outputs may occur when the amplifier input is outside the recommended range.

- 7. Hysteresis amplifier  
An input range of 0.6V to ( $V_{CC} \sim 1.2V$ ) is recommended. Unpredictable outputs may occur when the input is outside this range.
- 8. Thermal shutdown circuit (TSD)

The circuit puts the driver outputs (A1, A2, and A3) to the open state at the temperature of 175°C (typical). There is a temperature difference of about 20°C between the temperatures at which the circuit is activated and deactivated.

● Application example

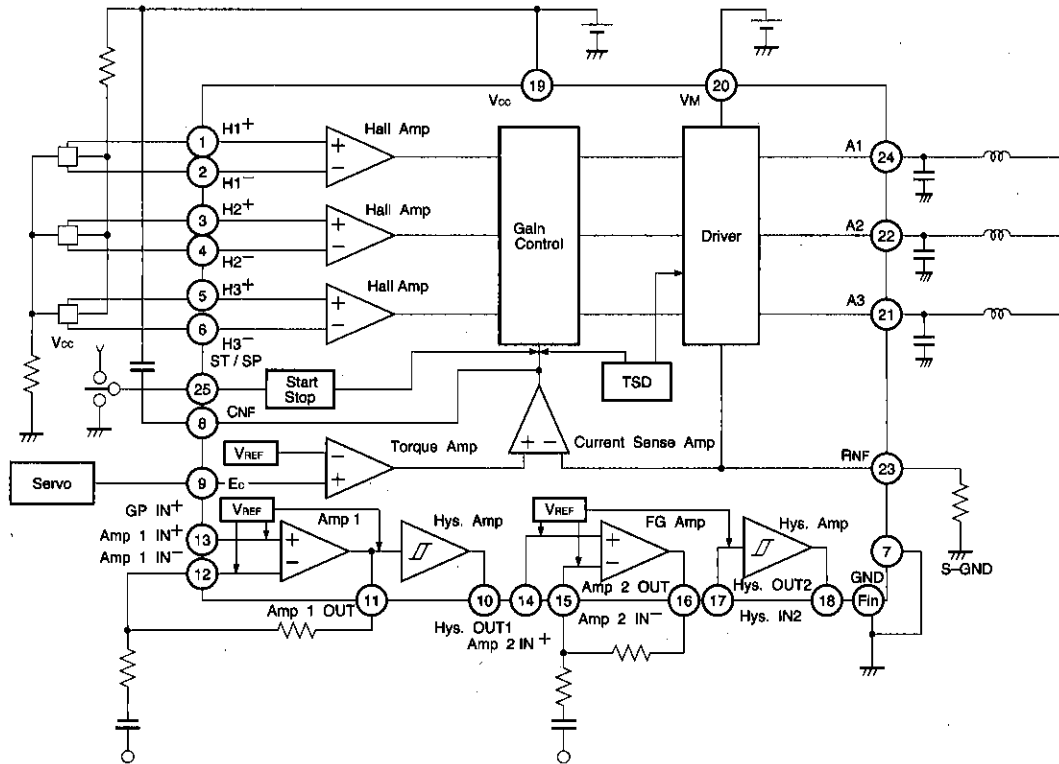


Fig.16

● External dimensions (Units: mm)

