

TE Mini-Universal MATE-N-LOK® and MATE-N-LOK2®



This product is RoHS compliant.

Features:

- Compact, durable housings
- Contacts accept wire size range 30-16 AWG
- Fully polarized
- UL94V-0 flammability rated material

Specifications:

- Voltage rating: 600V AC or DC
- Current: 9.5A max. 9A Sealed
- Dielectric Withstanding Voltage: 1.5VAC



MINI-UNIVERSAL MATE-N-LOK® CONNECTORS

Plug Housings

MOUSER STOCK NO.	TE Part No.	Fig.	Number of Contacts	Description	Price Each		
					1	25	100
571-1721651	172165-1	A	2	In-line	.39	.369	.293
571-1721661	172166-1	A	3	In-line	.48	.433	.364
571-1721691	172169-1	A	9	Matrix	.76	.66	.545
571-1721701	172170-1	A	12	Matrix	.92	.835	.63
571-1721711	172171-1	A	15	Matrix	1.34	1.20	.955
571-172167-1	172167-1	A	4	Dual row	.50	.454	.38
571-1721681	172168-1	A	6	Dual row	.63	.567	.487
571-7705791	770579-1	A	8	Dual row	.57	.464	.371
571-770580-1	770580-1	A	10	Dual row	.57	.454	.361
571-770581-1	770581-1	A	12	Dual row	.57	.495	.361
571-7705821	770582-1	A	14	Dual row	.84	.764	.546
571-7705831	770583-1	A	16	Dual row	.94	.845	.602
571-770584-1	770584-1	A	18	Dual row	1.24	1.00	.866
571-7705851	770585-1	A	20	Dual row	1.34	1.12	.873
571-770586-1	770586-1	A	22	Dual row	1.46	1.31	1.05
571-7705871	770587-1	A	24	Dual row	4.91	2.89	1.96

Cap Housings

MOUSER STOCK NO.	TE Part No.	Fig.	Number of Contacts	Description	Price Each		
					1	25	100
571-1722331	172233-1	B	2	In-line, free hanging	.53	.433	.33
571-1722341	172234-1	B	3	In-line, free hanging	.51	.443	.373
571-1721571	172157-1	B	2	In-line, panel mount	.42	.381	.333
571-1721581	172158-1	B	3	In-line, panel mount	.56	.525	.366
571-1721591	172159-1	B	4	Dual row	.57	.485	.392
571-1721601	172160-1	B	6	Dual row	.77	.61	.49
571-1721611	172161-1	B	9	Matrix	.85	.786	.665
571-1721621	172162-1	B	12	Matrix	.89	.763	.662

SEALED MINI-UNIVERSAL MATE-N-LOK® CONNECTORS

Plug Housings

MOUSER STOCK NO.	TE Part No.	Fig.	Number of Contacts	Description	Price Each		
					1	25	100
571-7948941	794894-1	C	2	In-line	.60	.536	.382
571-7948051	794805-1	C	4	Dual Row	.59	.505	.371
571-7948951	794895-1	C	6	Dual Row	.78	.731	.648
571-7948211	794821-1	C	8	Dual Row	.93	.855	.608
571-7947811	794781-1	C	10	Dual Row	.89	.701	.625

Cap Housings

MOUSER STOCK NO.	TE Part No.	Fig.	Number of Contacts	Description	Price Each		
					1	25	100
571-7948961	794896-1	D	2	In-line	.72	.639	.454
571-7949391	794939-1	D	4	Dual Row	.68	.611	.513
571-7949401	794940-1	D	6	Dual Row	.86	.793	.65
571-7949411	794941-1	D	8	Dual Row	.77	.66	.608
571-7949421	794942-1	D	10	Dual Row	.88	.773	.742

Seals

MOUSER STOCK NO.	TE Part No.	Fig.	Number of Contacts	Description	Price Each		
					1	25	100
571-7947722	794772-2	E	2	Interface Seal	.41	.371	.335
571-7947724	794772-4	E	4	Interface Seal	.50	.392	.322
571-7947726	794772-6	E	6	Interface Seal	.44	.392	.343
571-7947728	794772-8	E	8	Interface Seal	.48	.392	.352
571-17947720	1-794772-0	E	10	Interface Seal	.50	.369	.317
571-7949951	794995-1	F	-	Cavity Plug Seal	.30	.288	.254
571-17947581	794758-1	G	-	Cavity Wire Seal	.16	.134	.13

Keying Plug

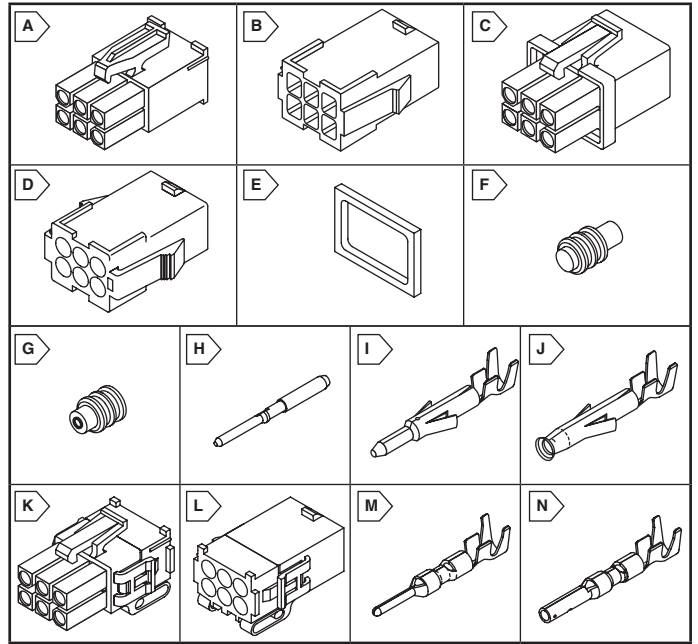
MOUSER STOCK NO.	TE Part No.	Fig.	Description	Price Each		
				1	25	100
571-1746701	174670-1	H	Keying Plug	.23	.202	.146

MATE-N-LOK® Pin Contacts

MOUSER STOCK NO.	TE Part No.	Fig.	Wire AWG	Finish	Price Each		
					1	100	500
571-794059-1	794059-1	I	30-26	Tin	.14	.095	.091
571-1-794059-0	1-794059-0	I	30-26	Gold	.43	.342	.31
571-7709851	770985-1	I	26-22	Tin	.15	.095	.082
571-1-770985-0	1-770985-0	I	26-22	Gold	.41	.312	.276
571-7709871	770987-1	I	22-18	Tin	.16	.122	.105
571-1-770987-0	1-770987-0	I	22-18	Gold	.41	.312	.276
571-1716381	171638-1	I	20-16	Tin	.13	.066	.064

MATE-N-LOK® Socket Contacts

MOUSER STOCK NO.	TE Part No.	Fig.	Wire AWG	Finish	Price Each		
					1	100	500
571-794058-1	794058-1	J	30-26	Tin	.11	.084	.078
571-770986-1	770986-1	J	26-22	Tin	.13	.09	.084
571-1-770986-0	1-770986-0	J	26-22	Gold	.41	.312	.276
571-770988-1	770988-1	J	22-18	Tin	.11	.095	.082
571-1-770988-0	1-770988-0	J	22-18	Gold	.46	.378	.336
571-1716391	171639-1	J	20-16	Tin	.10	.074	.063



MINI-UNIVERSAL MATE-N-LOK2® CONNECTORS

Features:

- Compact, durable housings
- Fully polarized

Specifications:

- Contacts accept wire size range 30-16 AWG
- UL94V-0 flammability rated material
- Voltage rating: 600V AC or DC
- Dielectric Withstanding Voltage: 1.5VAC

Plug Housings

MOUSER STOCK NO.	TE Part No.	Fig.	Number of Contacts	Description	Price Each		
					1	25	100
571-794184-1	794184-1	K	2	In-line	.58	.495	.437
571-7941861	794186-1	K	3	In-line	.58	.505	.441
571-794188-1	794188-1	K	4	Dual row	.80	.691	.511
571-794190-1	794190-1	K	6	Dual row	.79	.701	.582
571-794192-1	794192-1	K	8	Dual row	1.17	1.05	.866
571-794196-1	794196-1	K	10	Dual row	1.12	1.00	.711
571-794198-1	794198-1	K	12	Dual row	1.13	.978	.727
571-794202-1	794202-1	K	14	Dual row	1.16	1.04	.746
571-794206-1	794206-1	K	16	Dual row	1.51	1.36	.958
571-794208-1	794208-1	K	18	Dual row	1.84	1.65	1.22
571-794210-1	794210-1	K	20	Dual row	1.78	1.62	1.47
571-794212-1	794212-1	K	22	Dual row	2.06	1.86	1.36
571-794214-1	794214-1	K	24	Dual row	1.96	1.77	1.42
571-794194-1	794194-1	K	9	Matrix	2.11	1.87	1.33
571-794200-1	794200-1	K	12	Matrix	1.04	1.00	.703
571-794204-1	794204-1	K	15	Matrix	1.93	1.74	1.22

Cap Housings

MOUSER STOCK NO.	TE Part No.	Fig.	Number of Contacts	Description	Price Each		
					1	25	100
571-794185-1	794185-1	L	2	In-line	.69	.62	.44
571-794187-1	794187-1	L	3	In-line	.89	.77	.55
571-7941891	794189-1	L	4	Dual row	.67	.628	.463
571-794191-1	794191-1	L	6	Dual row	1.76	1.59	1.20
571-794193-1	794193-1	L	8	Dual row	1.09	.90	.733
571-794197-1	794197-1	L	10	Dual row	1.15	1.03	.733
571-794199-1	794199-1	L	12	Dual row	.90	.783	.701
571-794203-1	794203-1	L	14	Dual row	1.16	1.04	.745
571-794207-1	794207-1	L	16	Dual row	1.31	1.19	.947
571-794209-1	794209-1	L	18	Dual row	1.72	1.55	1.35
571-794211-1	794211-1	L	20	Dual row	2.04	1.85	1.67
571-794213-1	794213-1	L	22	Dual row	2.27	2.05	1.89
571-794215-1	794215-1	L	24	Dual row	2.58	2.32	1.67
571-794195-1	794195-1	L	9	Matrix	2.00	1.73	1.27
571-794201-1	794201-1	L	12	Matrix	2.71	2.45	1.69
571-794205-1	794205-1	L	15	Matrix	1.32	1.09	.885

MATE-N-LOK2® Pin Contacts

MOUSER STOCK NO.	TE Part No.	Fig.	Wire AWG	Finish	Price Each		
					1	100	500
571-794224-1	794224-1	M	30-26	Tin	.14	.108	.097
571-1-794224-0	1-794224-0	M	30-26	Gold	.48	.333	.302
571-794226-1	794226-1	M	26-22	Tin	.15	.109	.098
571-1-794226-0	1-794226-0	M	26-22	Gold	.45	.322	.284
571-794228-1	794228-1	M	22-18	Tin	.16	.098	.084
571-1-794228-0	1-794228-0	M	22-18	Gold	.53	.369	.326
571-794230-1	794230-1	M	20-16	Tin	.33	.228	.196

MATE-N-LOK2® Socket Contacts

MOUSER STOCK NO.	TE Part No.	Fig.	Wire AWG	Finish	Price Each		
					1	100	500
571-794225-1	794225-1	N	30-26	Tin	.14	.108	.097
571-1-794225-0	1-794225-0	N	30-26	Gold	.50	.352	.319
571-794227-1	794227-1	N	26-22	Tin	.15	.109	.098
571-1-794227-0	1-794227-0	N	26-22	Gold	.45	.322	.284
571-794229-1	794229-1	N	22-18	Tin	.15	.109	.098
571-1-794229-0	1-794229-0	N	22-18	Gold	.45	.315	.284
571-794231-1	794231-1	N	20-16	Tin	.33	.228	.196
571-1-794231-0	1-794231-0	N	20-16	Gold	.51	.367	.328