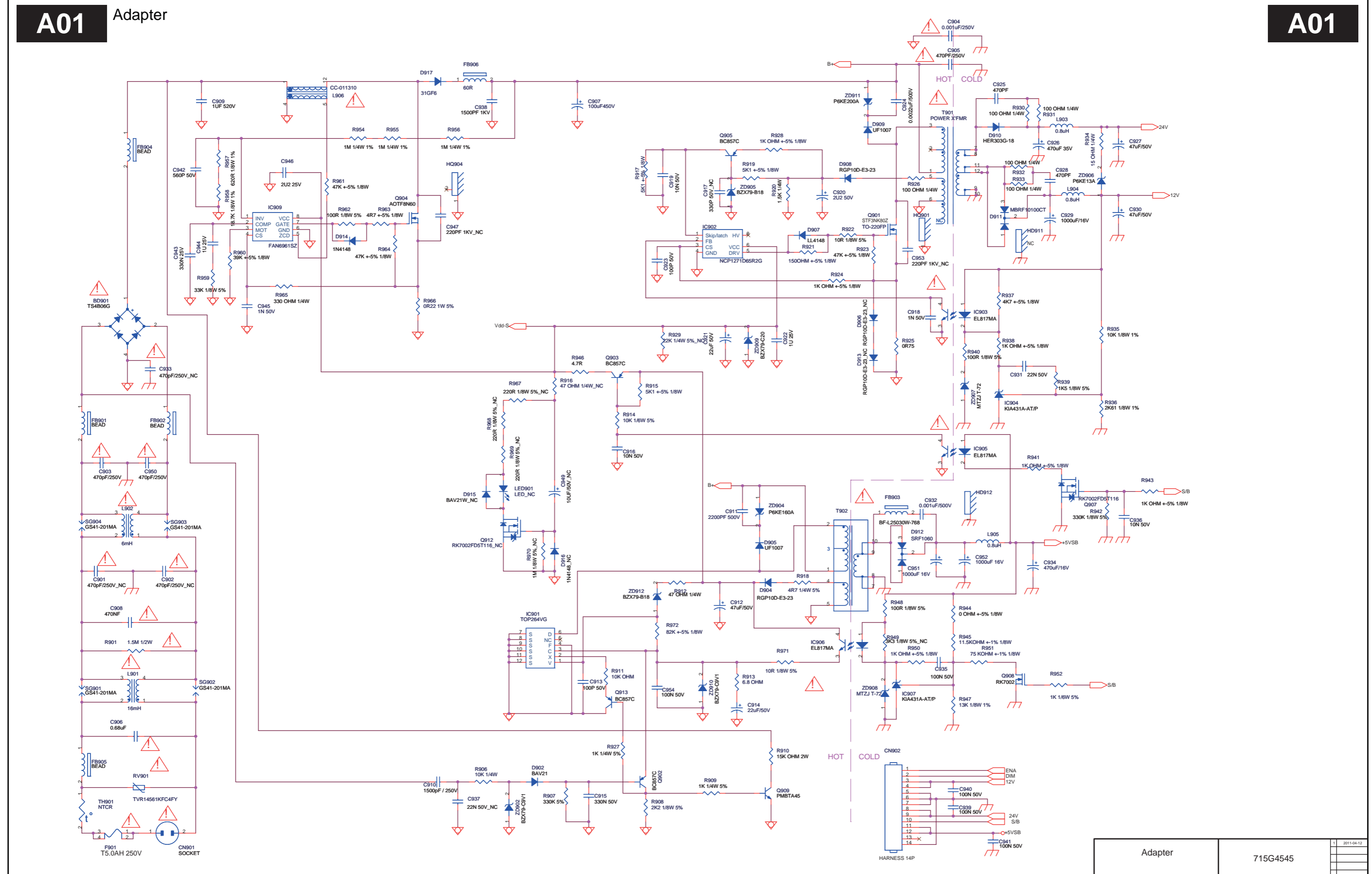


10. Circuit Diagrams and PWB Layouts

10-1 A01 715G4545 PSU 32"
Adapter



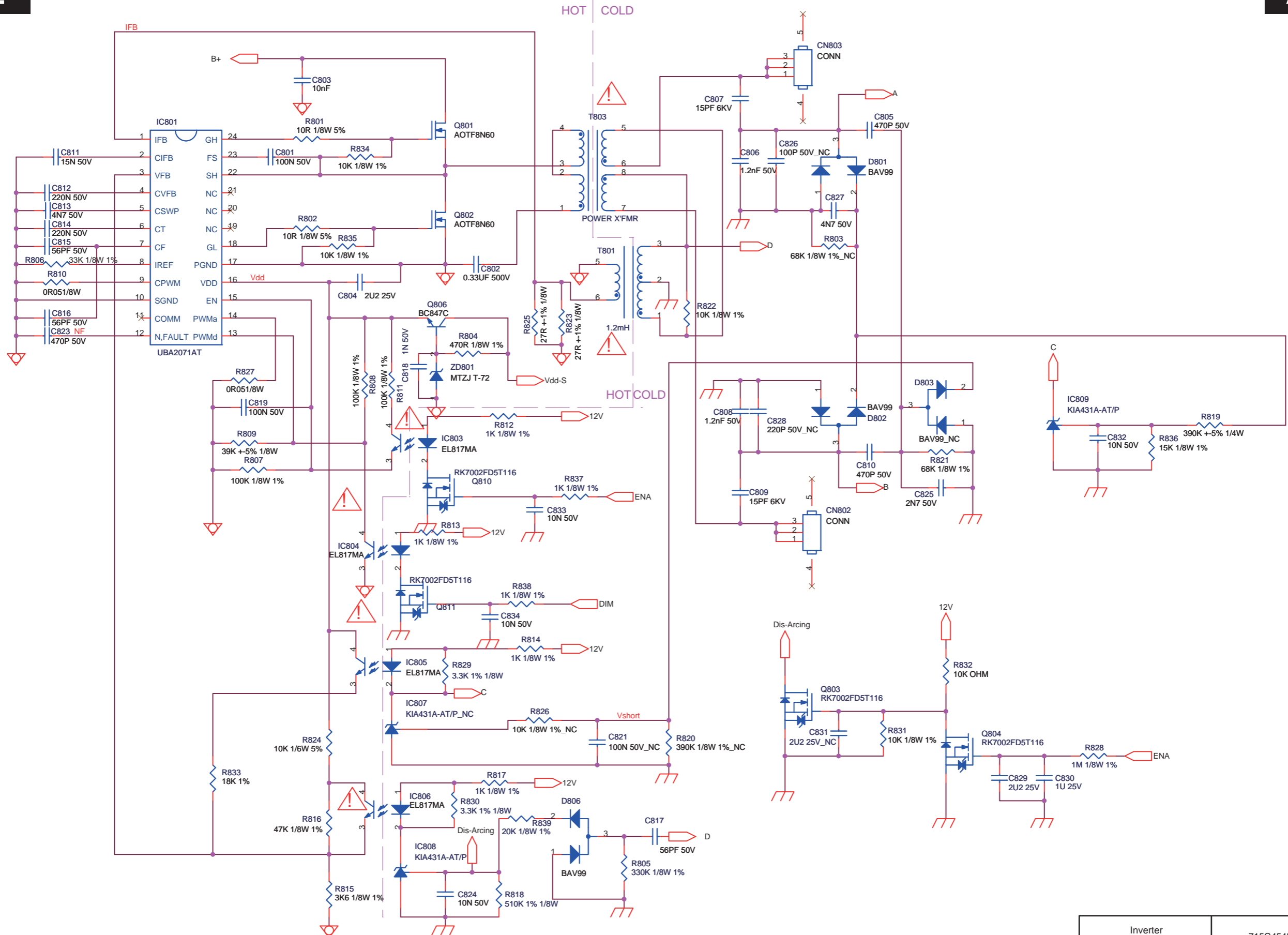
Adapter	715G4545	1	2011-04-12

Inverter

A02

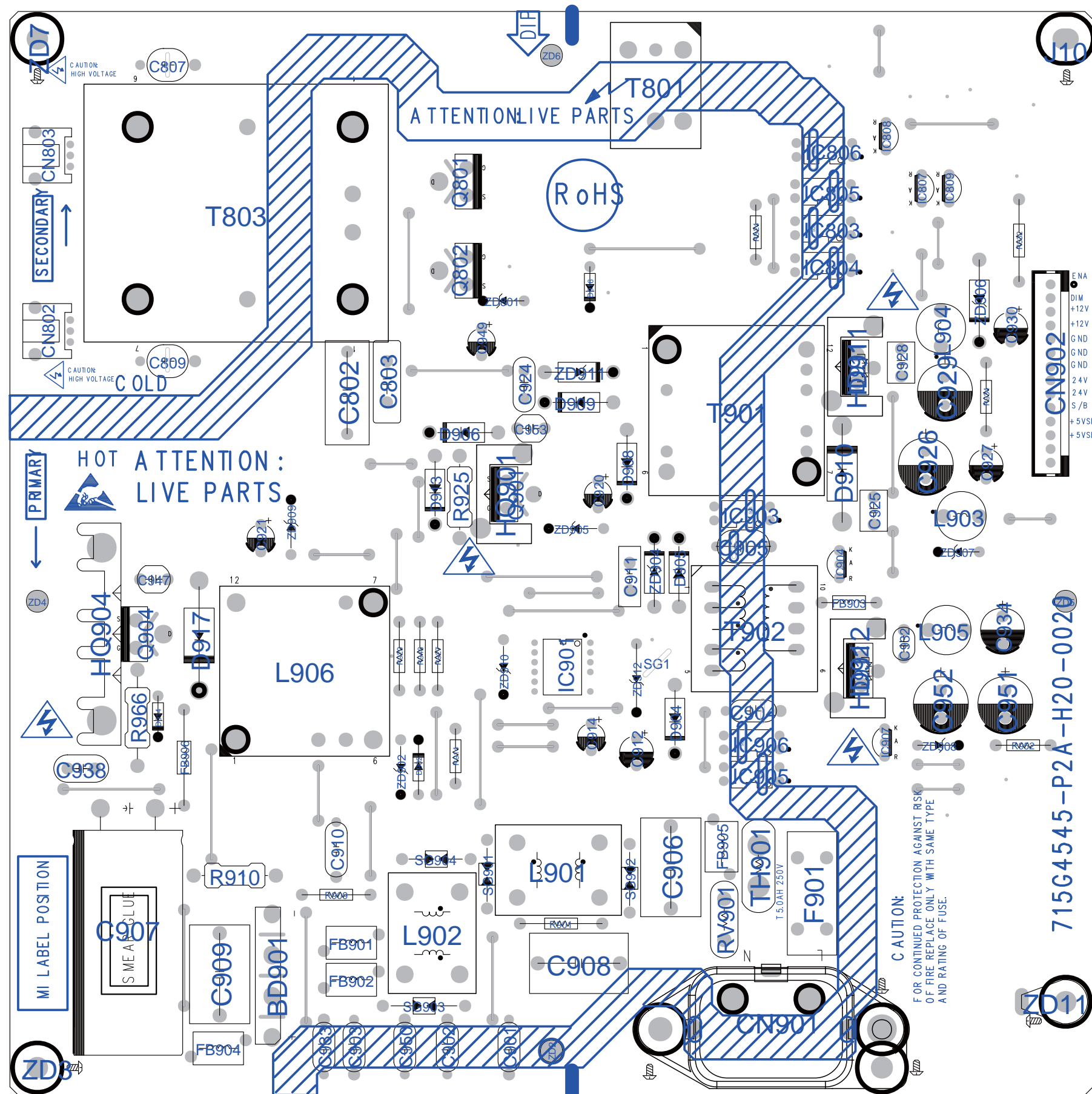
Inverter

A02



Inverter	715G4545	1	2011-04-12

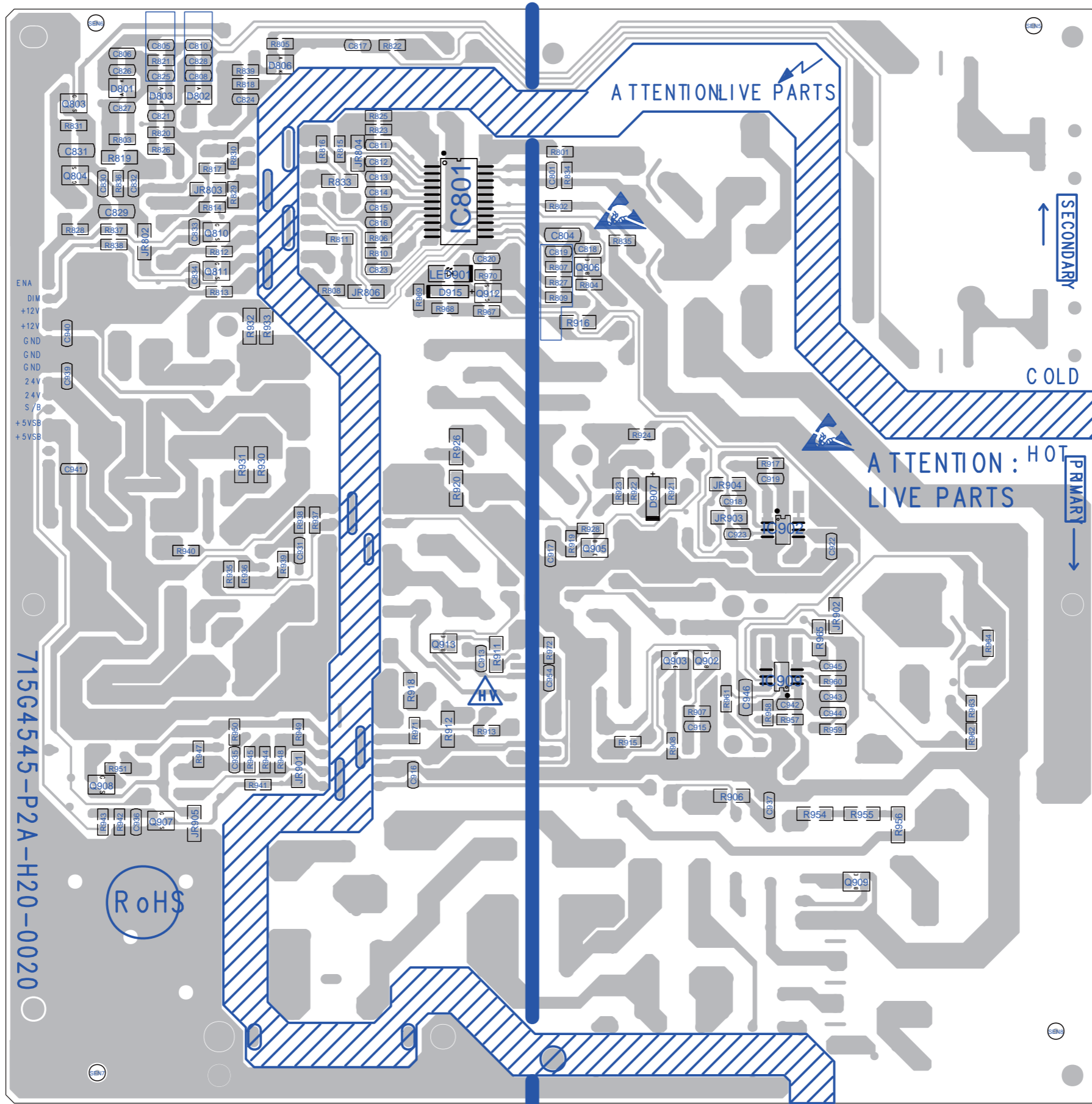
Power layout top



715G4545-P2A-H20-002

Power layout top	715G4545	1	2011-04-12
------------------	----------	---	------------

Power layout bottom



ENA
DIM
+12V
+12V
GND
GND
24V
24V
S/B
+5VSB
+5VSB

715G4545-P2A-H20-0020

RoHS

Power layout bottom	715G4545	1	2011-04-12
---------------------	----------	---	------------