

SANYO

No. 4713

LA7845**Vertical Deflection Output Circuit****Overview**

The LA7845 is a vertical deflection output IC for high-resolution television and CRT display systems that use a bus controller system signal processing IC. It can directly drive the deflection yoke (including the required DC component) from the bus controller system signal processing IC's sawtooth waveform output. Connecting the LA7845 and a Sanyo TV bus control system signal processing IC in the LA7615 series allows all functions of a color television signal system to be processed by the bus system. Since the LA7845 has a maximum deflection current of 2.2 Ap-p, it is optimal for use in large aperture products, and is capable of driving 33 to 37 inch class monitors.

Features

- Low power dissipation due to the provision of a built-in pump circuit
- Vertical output circuit
- On-chip thermal protection circuit
- Good crossover characteristics
- Supports DC coupling

Specifications**Maximum Ratings at Ta = 25°C**

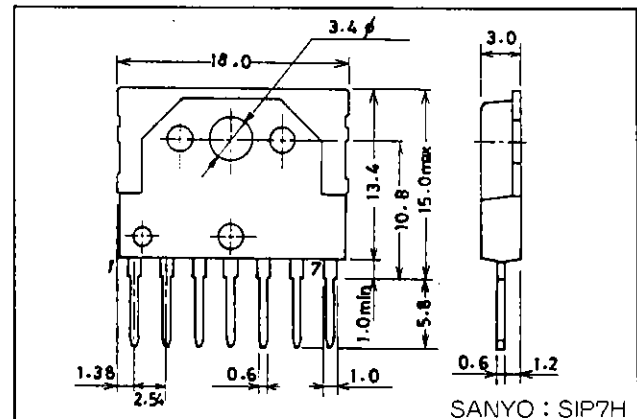
Parameter	Symbol	Conditions	Ratings	Unit
Maximum supply voltage	V_{CC6} max		40	V
Output block supply voltage	V_{CC3} max		85	V
Deflection output current	I_2 max		-1.5 to +1.5	Ap-o
Thermal resistance	θ_{j-c}		4.0	°C/W
Allowable power dissipation	P_d max	With an arbitrarily large heat sink	11	W
Operating temperature	T_{op}		-20 to +85	°C
Storage temperature	T_{stg}		-40 to +150	°C

Operating Conditions at Ta = 25°C

Parameter	Symbol	Conditions	Ratings	Unit
Recommended supply voltage	V_{CC6}		24	V
Operating supply voltage range	V_{CC6} op		10 to 38	V
Recommended deflection output current	I_2 p-p		up to 2.2	Ap-p

Package Dimensions

unit: mm

3075-SIP7H**SANYO Electric Co., Ltd. Semiconductor Business Headquarters**

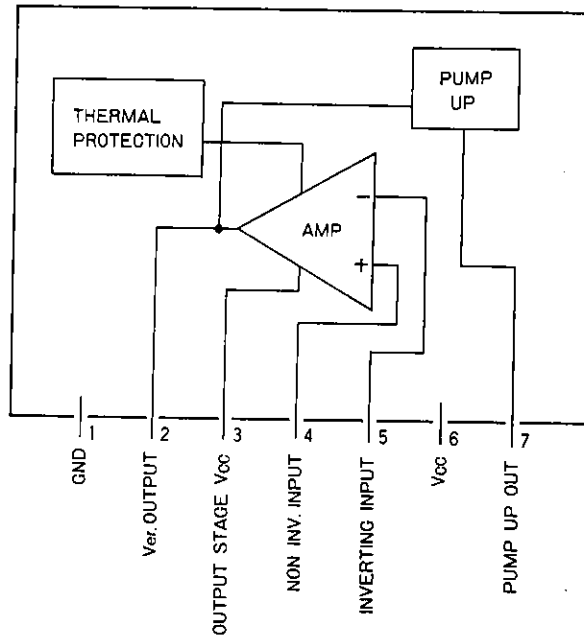
TOKYO OFFICE: Tokyo Bldg., 1-10, 1-Chome, Ueno, Taisho-ku, TOKYO, 110 JAPAN

LA7845

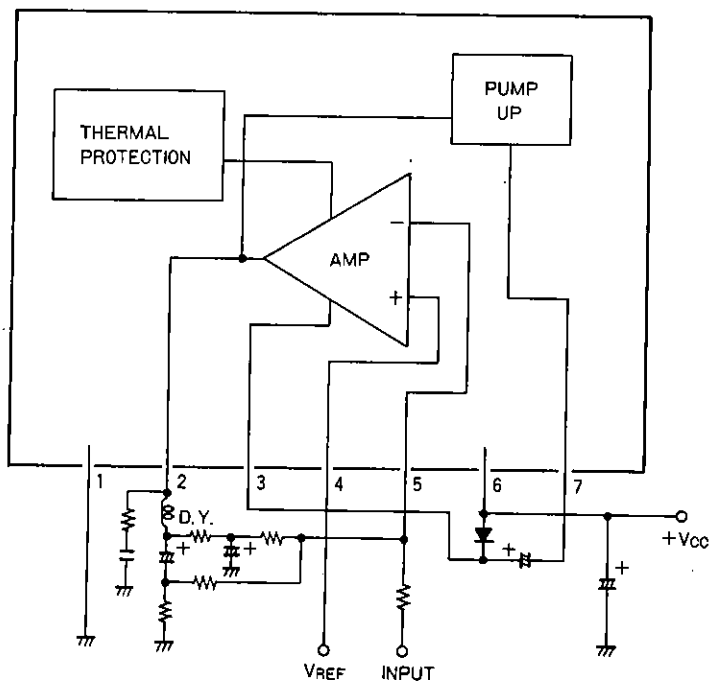
Operating Characteristics at $T_a = 25^\circ\text{C}$, $V_{CC6} = 24\text{ V}$

Parameter	Symbol	Conditions	min	typ	max	Unit
Pump circuit charge saturation voltage	V_{S7-1}	$I_7 = 20\text{ mA}$			1.8	V
Pump circuit discharge saturation voltage	V_{S6-7}	$I_7 = -1.1\text{ A}$			3.2	V
Deflection output saturation voltage (lower)	V_{S2-1}	$I_2 = 1.1\text{ A}$			1.5	V
Deflection output saturation voltage (upper)	V_{S3-2}	$I_2 = -1.1\text{ A}$			3.5	V
Idling current	I_{DL}		35		70	mA
Midpoint voltage	V_{MID}		11.0	12.0	13.0	V

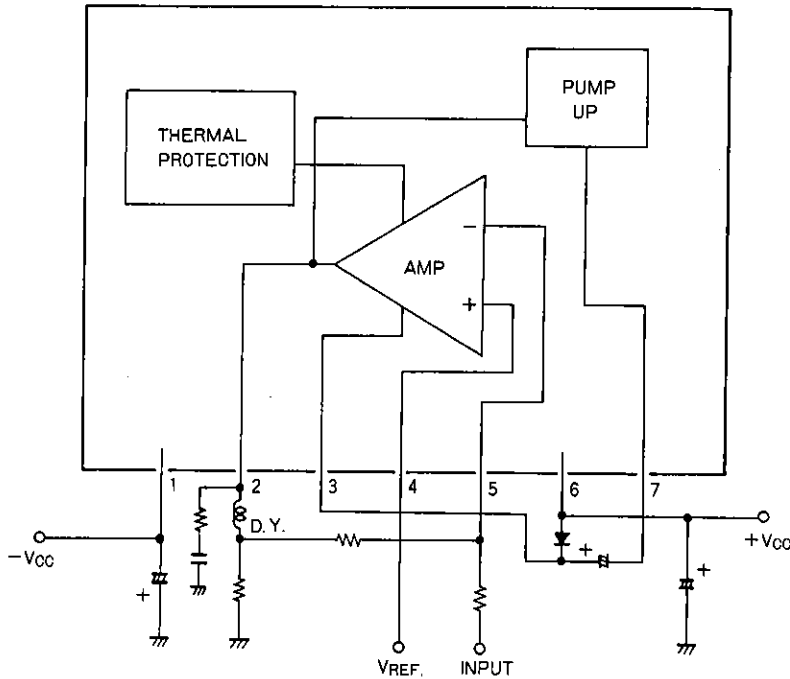
Block Diagram



Application Circuit Example (Single power supply)

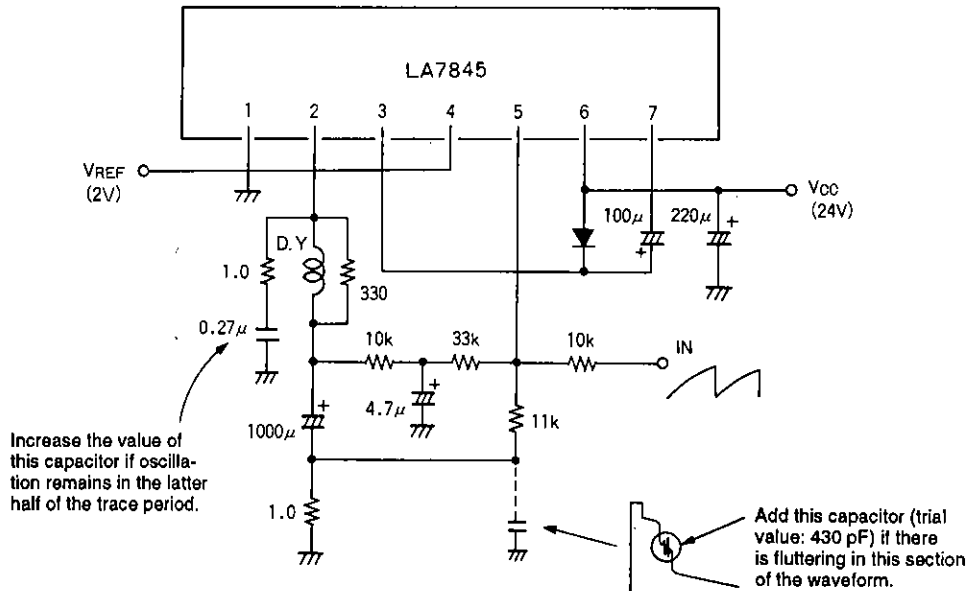


Application Circuit Example (Dual power supply)



Application Circuit Example

Unit (Resistance: Ω, Capacitance: F)



■ No products described or contained herein are intended for use in surgical implants, life-support systems, aerospace equipment, nuclear power control systems, vehicles, disaster/crime-prevention equipment and the like, the failure of which may directly or indirectly cause injury, death or property loss.

■ Anyone purchasing any products described or contained herein for an above-mentioned use shall:

- ① Accept full responsibility and indemnify and defend SANYO ELECTRIC CO., LTD., its affiliates, subsidiaries and distributors and all their officers and employees, jointly and severally, against any and all claims and litigation and all damages, cost and expenses associated with such use;
- ② Not impose any responsibility for any fault or negligence which may be cited in any such claim or litigation on SANYO ELECTRIC CO., LTD., its affiliates, subsidiaries and distributors or any of their officers and employees jointly or severally.

■ Information (including circuit diagrams and circuit parameters) herein is for example only; it is not guaranteed for volume production. SANYO believes information herein is accurate and reliable, but no guarantees are made or implied regarding its use or any infringements of intellectual property rights or other rights of third parties.