



LC74793, 74793JM

VPS / PDC Slicer IC

Preliminary

Overview

The LC74793/JM is a CMOS IC that provides PDS, VPS, and UDT data acquisition functions. The LC74793/JM supports microprocessor control of its operating modes and microprocessor read out of data acquired in any of its operating modes.

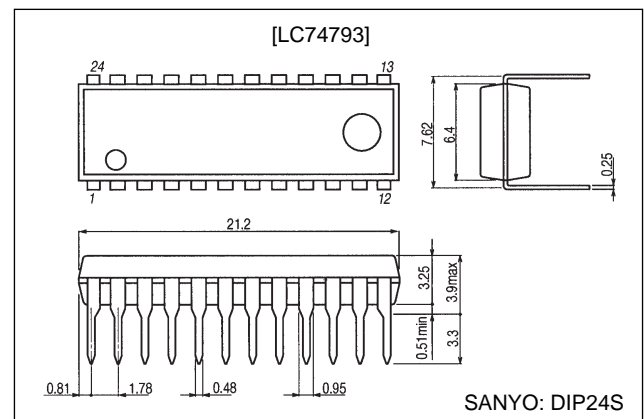
Features

- VPS data acquisition (5 or 11 to 15 bytes)
VPS: Video Program System
- PDC (8/30/2) data acquisition (13 to 25 bytes)
PDC: Program Delivery Control
- UDT (8/30/1) data acquisition (13 to 25 bytes)
UDT: Unified Date and Time
- Header (X/00) data acquisition (14 to 45 bytes)
- Status display (8/30/1, 8/30/2) data acquisition (26 to 45 bytes)
- Automatic VPS/PDC discrimination mode
- Built-in AFC and sync separator circuits
- Synchronization discrimination circuit
- I²C bus support

Package Dimensions

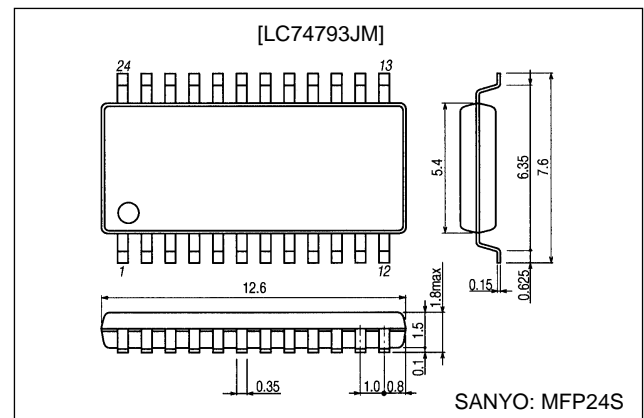
unit: mm

3067-DIP24S



unit: mm

3112-MFP24S



■ Any and all SANYO products described or contained herein do not have specifications that can handle applications that require extremely high levels of reliability, such as life-support systems, aircraft's control systems, or other applications whose failure can be reasonably expected to result in serious physical and/or material damage. Consult with your SANYO representative nearest you before using any SANYO products described or contained herein in such applications.

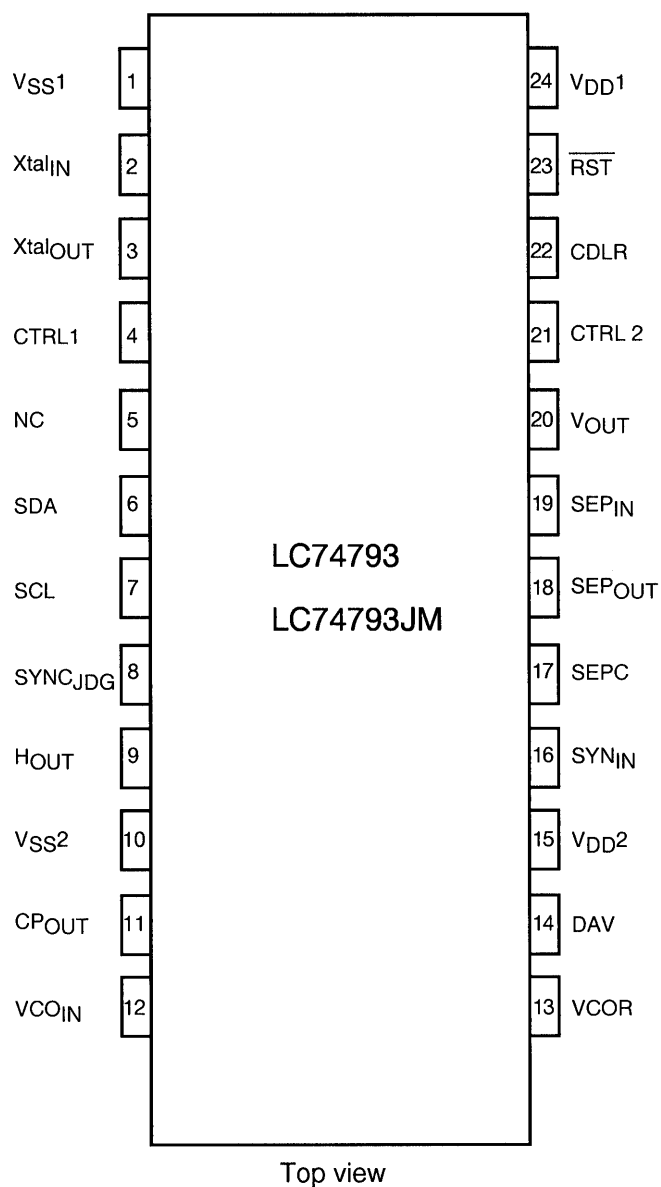
■ SANYO assumes no responsibility for equipment failures that result from using products at values that exceed, even momentarily, rated values (such as maximum ratings, operating condition ranges, or other parameters) listed in products specifications of any and all SANYO products described or contained herein.

SANYO Electric Co.,Ltd. Semiconductor Business Headquarters

TOKYO OFFICE Tokyo Bldg., 1-10, 1 Chome, Ueno, Taito-ku, TOKYO, 110-8534 JAPAN

LC74793, 74793JM

Pin Assignment



A11050

LC74793, 74793JM

Pin Functions

Pin No.	Pin	Function	Description
1	V _{SS1}	Ground	Digital system ground
2	Xtalin	Crystal oscillator connections	Connections for the crystal element and capacitors that form the crystal oscillator. Also used for external clock input (fsc, 2fsc, or 4fsc).
3	Xtalout		
4	CTRL1	Crystal element switching	Switches between external clock input mode and crystal oscillator mode. Set this pin low for crystal oscillator, and high for external clock input.
5	NC		
6	SDA	Data I/O I ² C bus	PDC/VPS data I/O. I ² C bus write address: 01111100 I ² C bus read address: 01111101
7	SCL	Clock input I ² C bus	PDC/VPS data clock input. I ² C bus
8	SYNC _{JDG}	External synchronizing signal discrimination output	External synchronizing signal presence/absence discrimination status output. A high level is output when synchronizing signals are present. This pin outputs the crystal oscillator clock when the RST pin is low. (This reset state output can be disabled with command input.)
9	Hout	Horizontal synchronizing signal output	Horizontal synchronizing signal output
10	V _{SS2}	Ground	Ground. (VCO circuit ground)
11	CP _{OUT}	Charge pump output	Charge pump output. Connect a low-pass filter to this pin.
12	VCO _{IN}	Oscillator control voltage input	VCO oscillation control voltage input
13	VCOR	Oscillator range adjustment	VCO oscillation range adjustment resistor connection
14	DAV	Data acquisition output	Outputs a low level when PDC/VPS data has been discriminated
15	V _{DD2}	Power supply (+5 V)	Power supply (+5 V) (VCO system power supply)
16	SYN _{IN}	Sync separator circuit input	Internal sync separator circuit video signal input
17	SEPC	Slice level output	Slice level verification
18	SEP _{OUT}	Composite synchronizing signal output	Internal sync separator circuit composite synchronizing signal output
19	SEP _{IN}	Vertical synchronizing signal input	Inputs the vertical synchronizing signal by integrating the SEP out pin output signal. Applications must connect the SEP out pin to this pin through an integration circuit. If unused, connect this pin to VDD1. (This pin is enabled when CTRL2 is high.)
20	Vout	Vertical synchronizing signal output	Vertical synchronizing signal output This pin outputs the VCO clock when the RST pin is low. (This reset state output can be disabled with command input.)
21	CTRL2	SEPin input control	Controls whether or not the VSYNC vertical synchronizing signal is input to the SEPin input. When low: The VSYNC signal is not input. (The internal vertical separation circuit is used.) When high: The VSYNC signal is input.
22	CDLR	Clock phase adjustment	Connection for the clock phase adjustment resistor.
23	RST	Reset input	System reset input. A pull-up resistor is built in. (This input has hysteresis characteristics.)
24	V _{DD1}	Power supply (+5 V)	Power supply. (+5 V: digital system power supply)

LC74793, 74793JM

Specifications

Absolute Maximum Ratings

Parameter	Symbol	Conditions	Ratings	Unit
Supply voltage	V_{DD}	V_{DD1} and V_{DD2}	$V_{SS} - 0.3$ to $V_{SS} + 7.0$	V
Input voltage	V_{IN}	All input pins	$V_{SS} - 0.3$ to $V_{DD1} + 0.3$	V
Output voltage	V_{OUT}	SDA, SYNCJDG, SEPOUT, DAV, HOUT, and VOUT	$V_{SS} - 0.3$ to $V_{DD1} + 0.3$	V
Allowable power dissipation	$P_{d\ max}$	$T_a = 25^\circ\text{C}$	350	mW
Operating temperature	T_{opr}		-30 to +70	$^\circ\text{C}$
Storage temperature	T_{stg}		-40 to +125	$^\circ\text{C}$

Recommended Operating Conditions

Parameter	Symbol	Conditions	Ratings			Unit	
			min	typ	max		
Supply voltage	V_{DD1}	V_{DD1} and V_{DD2}	4.5	5.0	5.5	V	
High-level input voltage	V_{IH1}	SDA and SCL	$0.8 V_{DD1}$		5.5	V	
	V_{IH2}	$\overline{\text{RST}}$	$0.8 V_{DD1}$		$V_{DD1} + 0.3$	V	
	V_{IH3}	CTRL1 and CTRL2	$0.7 V_{DD1}$		$V_{DD1} + 0.3$	V	
Low-level input voltage	V_{IL1}	$\overline{\text{RST}}$, SDA, and SCL	$V_{SS} - 0.3$		$0.2 V_{DD1}$	V	
	V_{IL2}	CTRL1 and CTRL2	$V_{SS} - 0.3$		$0.3 V_{DD1}$	V	
Pull-up resistance	RPU	$\overline{\text{RST}}$	25	50	90	$\text{k}\Omega$	
Composite video signal input voltage	V_{IN1}	SYNIN	$V_{DD1} = 5\text{ V}$	1.5	2.0	2.25	Vp-p
Input voltage	V_{IN2}	XtalIN (in external clock input mode) $f_{in} = f_{sc}$, $2f_{sc}$, or $4f_{sc}$	$V_{DD1} = 5\text{ V}$	0.10		5.0	Vp-p
Oscillator frequency	FOSC1	The XtalIN and XtalOUT oscillator pins (4fsc: PAL)		17.734		MHz	
	FOSC2	The XtalIN and XtalOUT oscillator pins (2fsc: PAL)		8.867		MHz	
	FOSC3	The XtalIN and XtalOUT oscillator pins (fsc: PAL)		4.433		MHz	

Note: Note that adequate measure must be taken to prevent noise from entering the XtalIN pin when it is used in clock input mode.

LC74793, 74793JM

Electrical Characteristics at $T_a = -30$ to $+70^\circ\text{C}$, $V_{DD1} = 5\text{ V}$ unless otherwise specified.

Parameter	Symbol	Applicable pins	Conditions	Ratings			Unit
				min	typ	max	
Output off leakage current	I_{leak2}	SDA and DAV				1	μA
High-level output voltage	V_{OH1}	SEPOUT, CPOUT, SYNCJDG, HOUT, and VOUT	$V_{DD1} = 4.5\text{ V}$, $I_{OH} = -1.0\text{ mA}$	3.5			V
Low-level output voltage	V_{OL1}	SEPOUT, CPOUT, SYNCJDG, DAV, HOUT, and VOUT	$V_{DD1} = 4.5\text{ V}$ $I_{OL} = 1.0\text{ mA}$			1.0	V
	V_{OL2}	SDA	$V_{DD1} = 5.0\text{ V}$ $I_{OL} = 3.0\text{ mA}$			0.4	V
Input current	I_{IH}	$\overline{\text{RST}}$, SDA, SCL, CTRL1, CTRL2, VCOIN	$V_{IN} = V_{DD1}$			1	μA
	I_{IL}	SDA, SCL, CTRL1, CTRL2, VCOIN	$V_{IN} = V_{SS1}$	-1			μA
Operating current drain	I_{DD1}	V_{DD1} and V_{DD2}	With all outputs open and a 17.734 MHz crystal			40	mA

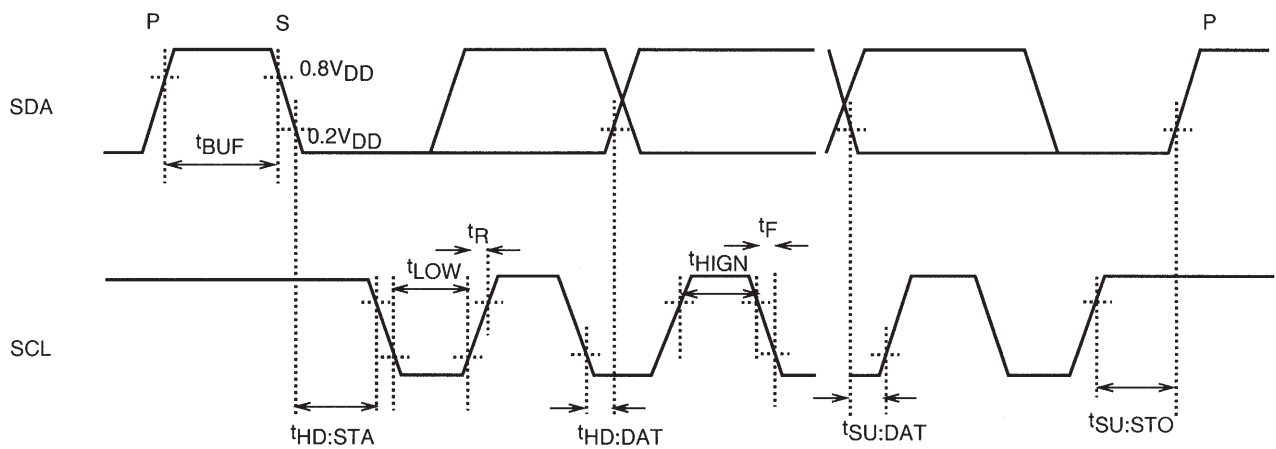
Timing Characteristics

PDC and VPS Read and Write ($I^2\text{C}$ bus timing) at $T_a = -30$ to $+70^\circ\text{C}$, $V_{DD1} = 5 \pm 0.5\text{ V}$

Parameter	Symbol	Conditions	Ratings			Unit
			min	typ	max	
SCL frequency	f_{SCL}				100	kHz
Bus release time	t_{BUF}		4.7			μs
Start hold time	$t_{HD:STA}$		4.0			μs
SCL low-level period	t_{LOW}		4.7			μs
SCL high-level period	t_{HIGN}		4.0			μs
Data hold time	$t_{HD:DAT}$		0			μs
Data setup time	$t_{SU:DAT}$		250			ns
Rise time	t_R				1000	ns
Fall time	t_F				300	ns
Stop setup time	$t_{SU:STO}$		4.0			μs

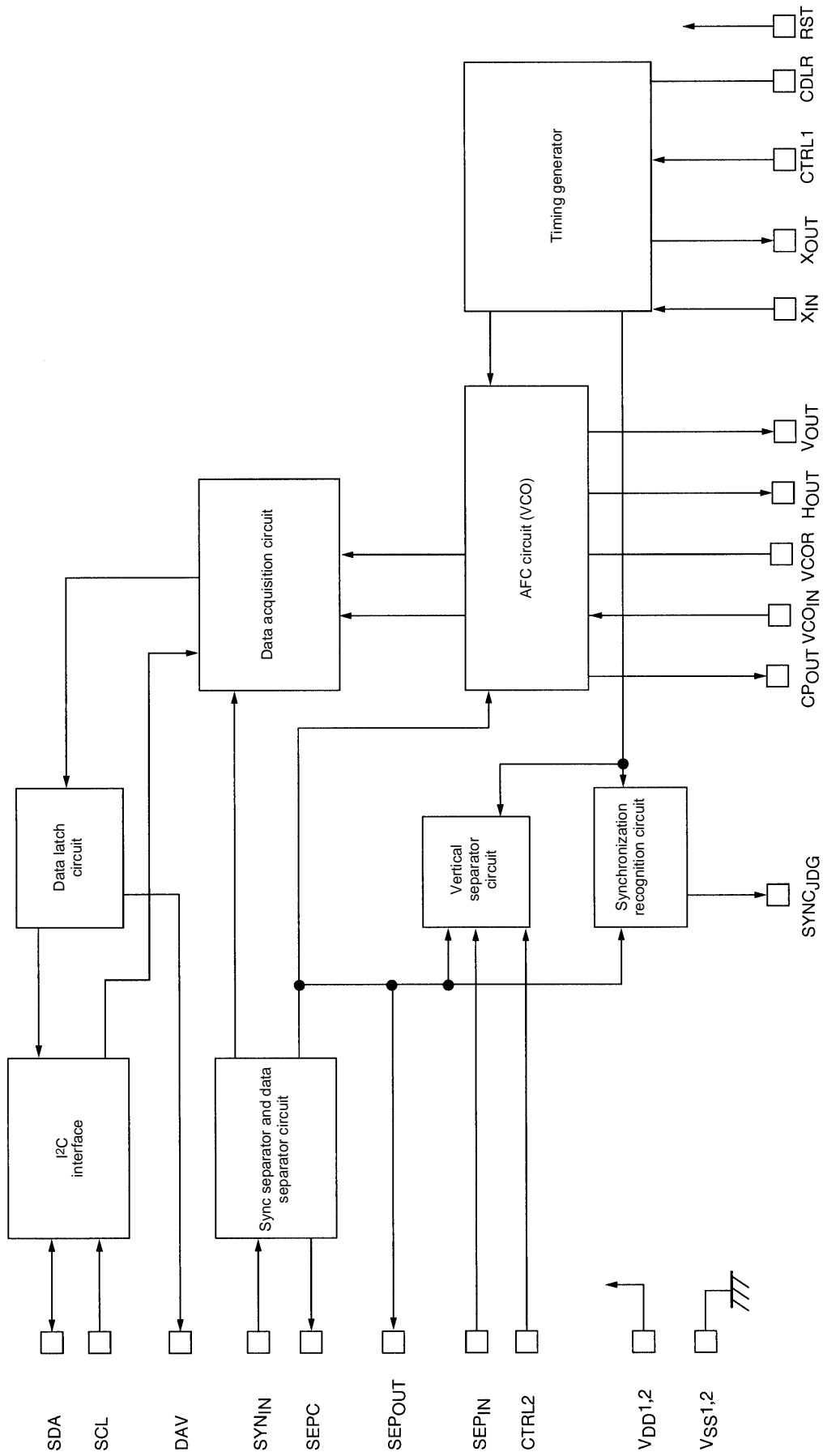
Supplementary Documentation

- PDC and VPS serial timing ($I^2\text{C}$ bus timing)



S: Start condition
P: Stop condition

A11051



A11052

LC74793/M System Block Diagram

Control Commands

The control commands have an 8-bit serial input format. Commands consist of a command identification code in the first byte and data in the following bytes.

Command 0: Clock control command

Command 1: VPS/PDC control command 1

Command 2: VPS/PDC control command 2

Command 3: Synchronizing signal detection command 1

Command 4: Synchronizing signal detection command 2

Command 5: Output control command 1

Command 6: Output control command 2

Command 7: VPS/PDC control command 3

Command 8: VPS/PDC control command 4

Command 9: VPS/PDC control command 5

Command 10: VPS/PDC control command 6

Display Control Commands: I²C Write

Command	First byte								Second byte							
	Command ID code				Data				Data							
	7	6	5	4	3	2	1	0	7	6	5	4	3	2	1	0
COMMAND0 (Clock control)	1	1	1	1	0	0	0	0	0	FS	FS2	FS3	O	TST MOD	O	SYS RST
COMMAND1 (VPS/PDC control 1)	1	1	1	1	0	0	0	1	0	CPA 2	CPA 1	CPA 0	VPM 3	VPM 2	VPM 1	VPM 0
COMMAND2 (VPS/PDC control 2)	1	1	1	1	0	0	1	0	0	VMW SE2	VMW SEL	HBS 2	HBS 1	BMS	EMS	DCE
COMMAND3 (Synchronizing signal detection 1)	1	1	1	1	0	0	1	1	0	RN 2	RN 1	RN 0	SN 3	SN 2	SN 1	SN 0
COMMAND4 (Synchronizing signal detection 2)	1	1	1	1	0	1	0	0	0	0	RNE 0	SJN 3	SJN 2	SJN 1	SJC 1	SJC 0
COMMAND5 (Output control 1)	1	1	1	1	0	1	0	1	0	SP0 2	SP0 1	SP0 0	SJ0 1	SJ0 0	VNP SEL	VSP SEL
COMMAND6 (Output control 2)	1	1	1	1	0	1	1	0	0	0	NP1	NP0	VI0 SET	HI0 SET	VOT KST	HOT KST
COMMAND7 (VPS/PDC control 3)	1	1	1	1	0	1	1	1	0	0	ECV 15	ECV 14	ECV 13	ECV 12	ECV 11	ECV 5
COMMAND8 (VPS/PDC control 4)	1	1	1	1	1	0	0	0	0	ECP 19	ECP 18	ECP 17	ECP 16	ECP 15	ECP 14	ECP 13
COMMAND9 (VPS/PDC control 5)	1	1	1	1	1	0	0	1	0	0	ECP 25	ECP 24	ECP 23	ECP 22	ECP 21	ECP 20
COMMAND10 (VPS/PDC control 6)	1	1	1	1	1	0	1	0	0	HXA LL2	LKA SLC	MSK H1	KMW	SLH 3	SLH 2	SLH 1

Once written, the first byte command identification code is retained until the next first byte is written.
Data is written in second byte only continuous mode. (Automatic increment)

Command 0 (Clock Settings Command)

• First byte

DA 0 to 7	Register	Contents		Notes
		Status	Function	
7	—	1	First byte identification bit	
6	—	1	Command 0 identification code.	
5	—	1	Clock settings.	
4	—	1		
3	—	0		
2	—	0		
1	—	0		
0	—	0		

• Second byte

DA 0 to 7	Register	Contents				Notes	
		Status	Function				
7	—	0	Second byte identification bit			Setting for the frequency input to the Xtal _{IN} pin (pin 2). CDLR can be deleted: The resistor connected to the CDLR pin may be removed.	
6	FS	0	FS	FS2	FS3		Setting
		1					2FSC
5	FS2	0	1	0	0		4FSC (CDLR can be deleted)
		1					FSC
4	FS3	0	0	1	1		2FSC (CDLR can be deleted)
		1					
3	—	0					
2	TSTMOD	0	Normal operating mode			This bit must be set to 0.	
		1	Test mode				
1	—	0					
0	SYSRST	0					
		1	All registers are reset				

Command 1 (VPS/PDC control command 1)

• First byte

DA 0 to 7	Register	Contents		Notes
		Status	Function	
7	—	1	First byte identification bit	
6	—	1	Command 1 identification code.	
5	—	1	VPS/PDC control settings 1.	
4	—	1		
3	—	0		
2	—	0		
1	—	0		
0	—	1		

• Second byte

DA 0 to 7	Register	Contents		Notes																								
		Status	Function																									
7	—	0	Second byte identification bit	Data acquisition clock selection. The clock can be shifted relative to the data in units of 8 clock cycles.																								
6	CPA1	0	<table border="1"> <thead> <tr> <th>CPA2</th> <th>CPA1</th> <th>CPA0</th> <th>Clock</th> </tr> </thead> <tbody> <tr> <td>0</td> <td>0</td> <td>0</td> <td>NO1</td> </tr> <tr> <td>0</td> <td>0</td> <td>1</td> <td>NO2</td> </tr> <tr> <td>0</td> <td>1</td> <td>0</td> <td>NO3</td> </tr> </tbody> </table>		CPA2	CPA1	CPA0	Clock	0	0	0	NO1	0	0	1	NO2	0	1	0	NO3								
		CPA2	CPA1		CPA0	Clock																						
0	0	0	NO1																									
0	0	1	NO2																									
0	1	0	NO3																									
5	CPA2	0	<table border="1"> <tbody> <tr> <td>0</td> <td>1</td> <td>1</td> <td>NO4</td> </tr> <tr> <td>1</td> <td>0</td> <td>0</td> <td>NO5</td> </tr> <tr> <td>1</td> <td>0</td> <td>1</td> <td>NO6</td> </tr> </tbody> </table>		0	1	1	NO4	1	0	0	NO5	1	0	1	NO6												
		0	1		1	NO4																						
1	0	0	NO5																									
1	0	1	NO6																									
4	CPA0	0	<table border="1"> <tbody> <tr> <td>1</td> <td>1</td> <td>0</td> <td>NO7</td> </tr> <tr> <td>1</td> <td>1</td> <td>1</td> <td>NO8</td> </tr> </tbody> </table>	1	1	0	NO7	1	1	1	NO8																	
		1	1	0	NO7																							
1	1	1	NO8																									
3	VPM3	0	<table border="1"> <thead> <tr> <th>M3</th> <th>M2</th> <th>M1</th> <th>MO</th> <th>Operating mode</th> </tr> </thead> <tbody> <tr> <td>0</td> <td>0</td> <td>0</td> <td>0</td> <td>VPS</td> </tr> <tr> <td>0</td> <td>0</td> <td>0</td> <td>1</td> <td>8/30/2 (PDC)</td> </tr> <tr> <td>0</td> <td>0</td> <td>1</td> <td>0</td> <td>PDC and VPS automatic recognition 1</td> </tr> </tbody> </table>	M3	M2	M1	MO	Operating mode	0	0	0	0	VPS	0	0	0	1	8/30/2 (PDC)	0	0	1	0	PDC and VPS automatic recognition 1					
		M3	M2	M1	MO	Operating mode																						
0	0	0	0	VPS																								
0	0	0	1	8/30/2 (PDC)																								
0	0	1	0	PDC and VPS automatic recognition 1																								
2	VPM2	0	<table border="1"> <tbody> <tr> <td>0</td> <td>0</td> <td>1</td> <td>1</td> <td>8/30/1 (UDT)</td> </tr> <tr> <td>0</td> <td>1</td> <td>0</td> <td>0</td> <td>Header time 1</td> </tr> <tr> <td>0</td> <td>1</td> <td>0</td> <td>1</td> <td>Header time 2</td> </tr> <tr> <td>0</td> <td>1</td> <td>1</td> <td>0</td> <td>Header time 3</td> </tr> <tr> <td>0</td> <td>1</td> <td>1</td> <td>1</td> <td>Header time 4</td> </tr> </tbody> </table>	0	0	1	1	8/30/1 (UDT)	0	1	0	0	Header time 1	0	1	0	1	Header time 2	0	1	1	0	Header time 3	0	1	1	1	Header time 4
		0	0	1	1	8/30/1 (UDT)																						
0	1	0	0	Header time 1																								
0	1	0	1	Header time 2																								
0	1	1	0	Header time 3																								
0	1	1	1	Header time 4																								
1	VPM1	0	<table border="1"> <tbody> <tr> <td>1</td> <td>0</td> <td>0</td> <td>0</td> <td>Status display 1</td> </tr> <tr> <td>1</td> <td>0</td> <td>0</td> <td>1</td> <td>Status display 2</td> </tr> <tr> <td>1</td> <td>0</td> <td>1</td> <td>0</td> <td>Status display 3</td> </tr> <tr> <td>1</td> <td>0</td> <td>1</td> <td>1</td> <td>Status display 4</td> </tr> <tr> <td>1</td> <td>1</td> <td>0</td> <td>0</td> <td>PAL PULSE</td> </tr> </tbody> </table>	1	0	0	0	Status display 1	1	0	0	1	Status display 2	1	0	1	0	Status display 3	1	0	1	1	Status display 4	1	1	0	0	PAL PULSE
		1	0	0	0	Status display 1																						
1	0	0	1	Status display 2																								
1	0	1	0	Status display 3																								
1	0	1	1	Status display 4																								
1	1	0	0	PAL PULSE																								
0	VPM0	0	<table border="1"> <tbody> <tr> <td>1</td> <td>1</td> <td>0</td> <td>1</td> <td>PDC and VPS automatic recognition 2</td> </tr> <tr> <td>1</td> <td>1</td> <td>1</td> <td>0</td> <td>PDC and VPS automatic recognition 3</td> </tr> <tr> <td>1</td> <td>1</td> <td>1</td> <td>1</td> <td>PDC and VPS automatic recognition 4</td> </tr> </tbody> </table>	1	1	0	1	PDC and VPS automatic recognition 2	1	1	1	0	PDC and VPS automatic recognition 3	1	1	1	1	PDC and VPS automatic recognition 4										
		1	1	0	1	PDC and VPS automatic recognition 2																						
1	1	1	0	PDC and VPS automatic recognition 3																								
1	1	1	1	PDC and VPS automatic recognition 4																								
		1																										

Note: All registers are cleared to 0 when the IC is reset by the RST pin.

Command 2 (VPS/PDC control command 2)

• First byte

DA 0 to 7	Register	Contents		Notes
		Status	Function	
7	—	1	First byte identification bit	
6	—	1	Command 2 identification code.	
5	—	1	VPS/PDC control settings 2.	
4	—	1		
3	—	0		
2	—	0		
1	—	1		
0	—	0		

• Second byte

DA 0 to 7	Register	Contents		Notes
		Status	Function	
7	—	0	Second byte identification bit	
6	VMWSE2	0	From the vertical mask period start return period	CPOUT pin vertical mask period switching 2
		1	From 10H before the vertical mask period start return period	
5	VMWSEL	0	The vertical mask period is the return period	CPOUT pin vertical mask period switching
		1	The vertical mask period is 9H	
4	HBS2	0	Clock run discrimination 1 (2 times)	Clock run discrimination circuit setting
		1	Clock run discrimination 2 (4 times)	
3	HBS1	0	Framing code discrimination 1	Framing code discrimination selection
		1	Framing code discrimination 2 (A single bad bit is ignored)	
2	BMS	0	Error check enabled (The error check can be turned on or off on per-byte basis.)	When set to 0: If there are no errors in bytes for which the error check is turned on, those bytes will be written to P-S (COM7-9). When set to 1: Data is written to P-S regardless of whether or not errors occurred.
		1	Error check disabled (Applications can select whether data with errors is held or written for each byte.)	
1	EMS	0	Data hold	When error checking is enabled, specifies the processing when an error occurs in a byte for which error checking was turned off
		1	Data write (Error bits are set to 0 in VPS mode)	
0	DCE	0	Error check turned on for unused bytes VPS: bytes 3, 4, and 6 to 10, PDC: bytes 7 to 12 Header 1: bytes 14 to 37, 2: 14 to 29, 3 14 to 21. Status 1 (3): bytes 7 to 25, status 2 (4) bytes 7 to 35.	Error check setting for unused data bytes Biphase (VPS), Hamming (PDC), Odd parity (header)
		1	Error check turned off for unused bytes VPS: bytes 3, 4, and 6 to 10, PDC: bytes 7 to 12 Header 1: bytes 14 to 37, 2: 14 to 29, 3 14 to 21. Status 1 (3): bytes 7 to 25, status 2 (4) bytes 7 to 35.	

Note: All registers are cleared to 0 when the IC is reset by the $\overline{\text{RST}}$ pin.

Command 3 (Synchronizing signal detection command 1)

• First byte

DA 0 to 7	Register	Contents		Notes
		Status	Function	
7	—	1	First byte identification bit	
6	—	1	Command 3 identification code.	
5	—	1	Synchronizing signal detection settings 1.	
4	—	1		
3	—	0		
2	—	0		
1	—	1		
0	—	1		

• Second byte

DA 0 to 7	Register	Contents				Notes		
		Status	Function					
7	—	0	Second byte identification bit			<p>External synchronizing signal detection control. Signal absent → present discrimination. Sets the sampling period during which SYNC is continuously detected in the horizontal synchronizing signal period (1H). Values in parentheses apply when RNE0 (COM4) is set to 1.</p>		
6	RN2	0	RN2	RN1	RN0		Number of HSYNC detections	
		1						
5	RN1	0	0	0	0		0 (32)	
		1	0	0	1		4 (64)	
4	RN0	0	0	1	0		8 (128)	
		1	1	0	0		16 (256)	
3	SN3	0	SN3	SN2	SN1		SNO	Number of HSYNC detections
		1						
2	SN2	0	0	0	0		No detection performed	
		1	0	0	0		1	32
1	SN1	0	0	0	1		0	64
		1	0	1	0		0	128
0	SN0	0	1	0	0		0	256
		1						

Note: All registers are cleared to 0 when the IC is reset by the $\overline{\text{RST}}$ pin.

Command 4 (Synchronizing signal detection command 2)

• First byte

DA 0 to 7	Register	Contents		Notes
		Status	Function	
7	—	1	First byte identification bit	
6	—	1	Command 4 identification code.	
5	—	1	Synchronizing signal detection settings 2.	
4	—	1		
3	—	0		
2	—	1		
1	—	0		
0	—	0		

• Second byte

DA 0 to 7	Register	Contents		Notes																																				
		Status	Function																																					
7	—	0	Second byte identification bit																																					
6	—	0																																						
5	RNE0	0	Synchronization signal discrimination absent → preset: Normal values	Changes the values used for synchronizing signal discrimination in the absent → preset direction (COM3).																																				
		1	Synchronization signal discrimination absent → preset: Values in parentheses																																					
4	SJNS3	0	<table border="1"> <thead> <tr> <th>SJNS3</th> <th>SJNS2</th> <th>SJNS1</th> <th>Count</th> </tr> </thead> <tbody> <tr> <td>0</td> <td>0</td> <td>0</td> <td>None</td> </tr> <tr> <td>0</td> <td>0</td> <td>1</td> <td>4</td> </tr> <tr> <td>0</td> <td>1</td> <td>0</td> <td>8</td> </tr> <tr> <td>0</td> <td>1</td> <td>1</td> <td>16</td> </tr> <tr> <td>1</td> <td>0</td> <td>0</td> <td>32</td> </tr> <tr> <td>1</td> <td>0</td> <td>1</td> <td>64</td> </tr> <tr> <td>1</td> <td>1</td> <td>0</td> <td>128</td> </tr> <tr> <td>1</td> <td>1</td> <td>1</td> <td>256</td> </tr> </tbody> </table>	SJNS3	SJNS2	SJNS1	Count	0	0	0	None	0	0	1	4	0	1	0	8	0	1	1	16	1	0	0	32	1	0	1	64	1	1	0	128	1	1	1	256	Setting for the noise exclusion circuit used for synchronizing signal discrimination in the absent → preset direction. If the number of H signal inputs during a 1H period is greater than or equal to the value listed in the table, the IC determines that the signal is absent.
		SJNS3		SJNS2	SJNS1	Count																																		
0	0	0	None																																					
0	0	1	4																																					
0	1	0	8																																					
0	1	1	16																																					
1	0	0	32																																					
1	0	1	64																																					
1	1	0	128																																					
1	1	1	256																																					
1																																								
3	SJNS1	0	<table border="1"> <thead> <tr> <th>SJCS1</th> <th>SJCS0</th> <th>PAL</th> <th>NTSC</th> </tr> </thead> <tbody> <tr> <td>0</td> <td>0</td> <td>677 ns (1/3)</td> <td>448 ns (1/2)</td> </tr> <tr> <td>0</td> <td>1</td> <td>903 ns (1/4)</td> <td>838 ns (1/3)</td> </tr> <tr> <td>1</td> <td>0</td> <td>450 ns (1/2)</td> <td>1117 ns (1/4)</td> </tr> </tbody> </table>	SJCS1	SJCS0	PAL	NTSC	0	0	677 ns (1/3)	448 ns (1/2)	0	1	903 ns (1/4)	838 ns (1/3)	1	0	450 ns (1/2)	1117 ns (1/4)	Synchronization discrimination. HSYNI signal switching clock selection.																				
		SJCS1		SJCS0	PAL	NTSC																																		
0	0	677 ns (1/3)	448 ns (1/2)																																					
0	1	903 ns (1/4)	838 ns (1/3)																																					
1	0	450 ns (1/2)	1117 ns (1/4)																																					
1																																								
2	SJNS1	0																																						
		1																																						
1	SJCS1	0																																						
		1																																						
0	SJCS0	0																																						
		1																																						

Note: All registers are cleared to 0 when the IC is reset by the $\overline{\text{RST}}$ pin.

Command 5 (Output control command 1)

• First byte

DA 0 to 7	Register	Contents		Notes
		Status	Function	
7	—	1	First byte identification bit	
6	—	1	Command 5 identification code.	
5	—	1	Output control settings 1	
4	—	1		
3	—	0		
2	—	1		
1	—	0		
0	—	1		

• Second byte

DA 0 to 7	Register	Contents		Notes																																				
		Status	Function																																					
7	—	0	Second byte identification bit																																					
6	SPO2	0	<table border="1"> <thead> <tr> <th>SPO2</th> <th>SPO1</th> <th>SPO0</th> <th>SEPOut pin</th> </tr> </thead> <tbody> <tr> <td>0</td> <td>0</td> <td>0</td> <td>CSYNC</td> </tr> <tr> <td>0</td> <td>0</td> <td>1</td> <td>Slice data amplitude</td> </tr> <tr> <td>0</td> <td>1</td> <td>0</td> <td>O/E</td> </tr> <tr> <td>0</td> <td>1</td> <td>1</td> <td>CLK (acquisition)</td> </tr> <tr> <td>1</td> <td>0</td> <td>0</td> <td>VCO 1/1</td> </tr> <tr> <td>1</td> <td>0</td> <td>1</td> <td>VCO 1/2</td> </tr> <tr> <td>1</td> <td>1</td> <td>0</td> <td>VCO 1/3</td> </tr> <tr> <td>1</td> <td>1</td> <td>1</td> <td>VCO 1/4</td> </tr> </tbody> </table>	SPO2	SPO1	SPO0	SEPOut pin	0	0	0	CSYNC	0	0	1	Slice data amplitude	0	1	0	O/E	0	1	1	CLK (acquisition)	1	0	0	VCO 1/1	1	0	1	VCO 1/2	1	1	0	VCO 1/3	1	1	1	VCO 1/4	SEPOUT (pin 18) output switching
		SPO2		SPO1	SPO0	SEPOut pin																																		
0	0	0		CSYNC																																				
0	0	1		Slice data amplitude																																				
0	1	0		O/E																																				
0	1	1		CLK (acquisition)																																				
1	0	0		VCO 1/1																																				
1	0	1		VCO 1/2																																				
1	1	0	VCO 1/3																																					
1	1	1	VCO 1/4																																					
1																																								
5	SPO1	0																																						
		1																																						
4	SPO0	0																																						
		1																																						
3	SJO1	0	<table border="1"> <thead> <tr> <th>SJO1</th> <th>SJO0</th> <th>SYNCJDG pin</th> </tr> </thead> <tbody> <tr> <td>0</td> <td>0</td> <td>SYNCjdg</td> </tr> <tr> <td>0</td> <td>1</td> <td>LOCK</td> </tr> <tr> <td>1</td> <td>0</td> <td>SYNCdet</td> </tr> <tr> <td>1</td> <td>1</td> <td>DXout (Sliced data)</td> </tr> </tbody> </table>	SJO1	SJO0	SYNCJDG pin	0	0	SYNCjdg	0	1	LOCK	1	0	SYNCdet	1	1	DXout (Sliced data)	SYNCJDG (pin 8) output switching																					
		SJO1		SJO0	SYNCJDG pin																																			
0	0	SYNCjdg																																						
0	1	LOCK																																						
1	0	SYNCdet																																						
1	1	DXout (Sliced data)																																						
1																																								
2	SJO0	0																																						
		1																																						
1	VNPSEL	0	Vertical signal falling edge detection	Vertical signal acquisition polarity switching. Only valid when internal vertical separation used.																																				
		1	Vertical signal rising edge detection																																					
0	VSPSEL	0	VSEP: About 8.9 μs (NTSC)	Internal vertical separation time switching																																				
		1	VSEP: About 17.8 μs (NTSC)																																					



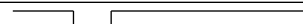
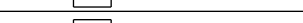
Note: All registers are cleared to 0 when the IC is reset by the $\overline{\text{RST}}$ pin.

Command 6 (Output control command 2)

• First byte

DA 0 to 7	Register	Contents		Notes
		Status	Function	
7	—	1	First byte identification bit	
6	—	1	Command 6 identification code.	
5	—	1	Output control settings 2.	
4	—	1		
3	—	0		
2	—	1		
1	—	1		
0	—	0		

• Second byte

DA 0 to 7	Register	Contents		Notes
		Status	Function	
7	—	0	Second byte identification bit	
6	—	0		
5	NP1	0	PAL	
		1	NTSC	
4	NP0	0	625	Number of scan lines
		1	525	
3	VIOSET	0	VSYNC signal output	VOUT mode setting
		1	Set up as a general-purpose port	
2	HIOSET	0	HSYNC signal output	HOUT mode setting
		1	Set up as a general-purpose port	
1	VOTKST	0	Negative polarity  (Lo)	VOUT polarity selection. Level in parentheses applies when set up as a general-purpose port.
		1	Positive polarity  (Hi)	
0	HOTKST	0	Negative polarity  (Lo)	HOUT polarity selection. Level in parentheses applies when set up as a general-purpose port.
		1	Positive polarity  (Hi)	

Note: All registers are cleared to 0 when the IC is reset by the $\overline{\text{RST}}$ pin.

Command 7 (VPS/PDC control command 3)

• First byte

DA 0 to 7	Register	Contents		Notes
		Status	Function	
7	—	1	First byte identification bit	
6	—	1	Command 7 identification code.	
5	—	1	VPS/PDC control settings 3.	
4	—	1		
3	—	0		
2	—	1		
1	—	1		
0	—	1		

• Second byte

DA 0 to 7	Register	Contents		Notes
		Status	Function	
7	—	0	Second byte identification bit	
6	—	0		
5	ECV15	0	Byte 15 biphas error check: on (data retained)	VPS data specification when BMS is 0. Items in parentheses are the specification when BMS is 1.
		1	Byte 15 biphas error check: off (data written)	
4	ECV14	0	Byte 14 biphas error check: on (data retained)	
		1	Byte 14 biphas error check: off (data written)	
3	ECV13	0	Byte 13 biphas error check: on (data retained)	
		1	Byte 13 biphas error check: off (data written)	
2	ECV12	0	Byte 12 biphas error check: on (data retained)	
		1	Byte 12 biphas error check: off (data written)	
1	ECV11	0	Byte 11 biphas error check: on (data retained)	
		1	Byte 11 biphas error check: off (data written)	
0	ECV5	0	Byte 5 biphas error check: on (data retained)	
		1	Byte 5 biphas error check: off (data written)	

Note: All registers are cleared to 0 when the IC is reset by the $\overline{\text{RST}}$ pin.

Command 8 (VPS/PDC control command 4)

• First byte

DA 0 to 7	Register	Contents		Notes
		Status	Function	
7	—	1	First byte identification bit	
6	—	1	Command 8 identification code.	
5	—	1	VPS/PDC control settings 4.	
4	—	1		
3	—	1		
2	—	0		
1	—	0		
0	—	0		

• Second byte

DA 0 to 7	Register	Contents		Notes
		Status	Function	
7	—	0	Second byte identification bit	
6	ECP19	0	Byte 19 Hamming error check on (Data retained) {Bytes 44, 28, 36, 20, 32, 42, 32, 42}	PDC data specification when BMS is 0. Items in parentheses are the specification when BMS is 1. Items in curly braces are the bytes for which the odd parity check is turned on or off for headers 1, 2, 3, and 4, and for status 1, 2, 3, and 4.
		1	Byte 19 Hamming error check off (Data written) {Bytes 44, 28, 36, 20, 32, 42, 32, 42}	
5	ECP18	0	Byte 18 Hamming error check on (Data retained) {Bytes 43, 27, 35, 19, 31, 41, 31, 41}	
		1	Byte 18 Hamming error check off (Data written) {Bytes 43, 27, 35, 19, 31, 41, 31, 41}	
4	ECP17	0	Byte 17 Hamming error check on (Data retained) {Bytes 42, 26, 34, 18, 30, 40, 30, 40}	
		1	Byte 17 Hamming error check off (Data written) {Bytes 42, 26, 34, 18, 30, 40, 30, 40}	
3	ECP16	0	Byte 16 Hamming error check on (Data retained) {Bytes 41, 25, 33, 17, 29, 39, 29, 39}	
		1	Byte 16 Hamming error check off (Data written) {Bytes 41, 25, 33, 17, 29, 39, 29, 39}	
2	ECP15	0	Byte 15 Hamming error check on (Data retained) {Bytes 40, 24, 32, 16, 28, 38, 28, 38}	
		1	Byte 15 Hamming error check off (Data written) {Bytes 40, 24, 32, 16, 28, 38, 28, 38}	
1	ECP14	0	Byte 14 Hamming error check on (Data retained) {Bytes 39, 23, 31, 15, 27, 37, 27, 37}	
		1	Byte 14 Hamming error check off (Data written) {Bytes 39, 23, 31, 15, 27, 37, 27, 37}	
0	ECP13	0	Byte 13 Hamming error check on (Data retained) {Bytes 38, 22, 30, 14, 26, 36, 26, 36}	
		1	Byte 13 Hamming error check off (Data written) {Bytes 38, 22, 30, 14, 26, 36, 26, 36}	

Note: All registers are cleared to 0 when the IC is reset by the $\overline{\text{RST}}$ pin.

Command 9 (VPS/PDC control command 5)

• First byte

DA 0 to 7	Register	Contents		Notes
		Status	Function	
7	—	1	First byte identification bit	
6	—	1	Command 9 identification code.	
5	—	1	VPS/PDC control settings 5.	
4	—	1		
3	—	1		
2	—	0		
1	—	0		
0	—	1		

• Second byte

DA 0 to 7	Register	Contents		Notes
		Status	Function	
7	—	0	Second byte identification bit	
6	—	0		
5	ECP25	0	Byte 25 Hamming error check on (Data retained)	PDC data specification when BMS is 0. Items in parentheses are the specification when BMS is 1. Items in curly braces are the bytes for which the odd parity check is turned on or off for headers 1, 2, 3, and 4, and for status 1, 2, 3, and 4.
		1	Byte 25 Hamming error check off (Data written)	
4	ECP24	0	Byte 24 Hamming error check on (Data retained)	
		1	Byte 24 Hamming error check off (Data written)	
3	ECP23	0	Byte 23 Hamming error check on (Data retained)	
		1	Byte 23 Hamming error check off (Data written)	
2	ECP22	0	Byte 22 Hamming error check on (Data retained) {Bytes , , , 35, 45, 35, 45}	
		1	Byte 22 Hamming error check off (Data written) {Bytes , , , 35, 45, 35, 45}	
1	ECP21	0	Byte 21 Hamming error check on (Data retained) {Bytes , , , 34, 44, 34, 44}	
		1	Byte 21 Hamming error check off (Data written) {Bytes , , , 34, 44, 34, 44}	
0	ECP20	0	Byte 20 Hamming error check on (Data retained) {Bytes 45, 29, 37, 21, 33, 43, 33, 43}	
		1	Byte 20 Hamming error check off (Data written) {Bytes 45, 29, 37, 21, 33, 43, 33, 43}	

Note: All registers are cleared to 0 when the IC is reset by the $\overline{\text{RST}}$ pin.

Command 10 (VPS/PDC control command 6)

• First byte

DA 0 to 7	Register	Contents		Notes
		Status	Function	
7	—	1	First byte identification bit	
6	—	1	Command A identification code.	
5	—	1	VPS/PDC control settings 6.	
4	—	1		
3	—	1		
2	—	0		
1	—	1		
0	—	0		

• Second byte

DA 0 to 7	Register	Contents		Notes																											
		Status	Function																												
7	—	0	Second byte identification bit																												
6	HXALL2	0	Slice data discrimination time: Normal	VPS/PDC data discrimination period setting																											
		1	Discriminates the vertical return period data in all modes																												
5	LKASLC	0	Normal operation																												
		1	Always in the locked state																												
4	MSKH1	0																													
		1	AFC: A mask is applied to the horizontal signal																												
3	KMW	0																													
		1	Forcibly set to high or low only during the CSYNC period																												
2	SLH3	0	<table border="1"> <thead> <tr> <th>MODE</th> <th>S321</th> <th>Clock discrimination</th> </tr> </thead> <tbody> <tr> <td>0</td> <td>0 0 0</td> <td>1 1 1 1 1 1 x x 0 0 0 0 0 0 x x</td> </tr> <tr> <td>1</td> <td>0 0 1</td> <td>0 0 0 0 0 0 x x 1 1 1 1 1 1 x x</td> </tr> <tr> <td>2</td> <td>0 1 0</td> <td>1 1 1 1 1 x x x 0 0 0 0 0 x x x</td> </tr> <tr> <td>3</td> <td>0 1 1</td> <td>0 0 0 0 0 x x x 1 1 1 1 1 x x x</td> </tr> <tr> <td>4</td> <td>1 0 0</td> <td>x x 1 1 1 1 1 1 0 0 0 0 0 0 x x</td> </tr> <tr> <td>5</td> <td>1 0 1</td> <td>x x 0 0 0 0 0 0 1 1 1 1 1 1 x x</td> </tr> <tr> <td>6</td> <td>1 1 0</td> <td>1 1 1 x 0 0 0 x</td> </tr> <tr> <td>7</td> <td>1 1 1</td> <td>0 0 0 x 1 1 1 x</td> </tr> </tbody> </table>	MODE	S321	Clock discrimination	0	0 0 0	1 1 1 1 1 1 x x 0 0 0 0 0 0 x x	1	0 0 1	0 0 0 0 0 0 x x 1 1 1 1 1 1 x x	2	0 1 0	1 1 1 1 1 x x x 0 0 0 0 0 x x x	3	0 1 1	0 0 0 0 0 x x x 1 1 1 1 1 x x x	4	1 0 0	x x 1 1 1 1 1 1 0 0 0 0 0 0 x x	5	1 0 1	x x 0 0 0 0 0 0 1 1 1 1 1 1 x x	6	1 1 0	1 1 1 x 0 0 0 x	7	1 1 1	0 0 0 x 1 1 1 x	Clock discrimination method switching
		MODE		S321	Clock discrimination																										
0	0 0 0	1 1 1 1 1 1 x x 0 0 0 0 0 0 x x																													
1	0 0 1	0 0 0 0 0 0 x x 1 1 1 1 1 1 x x																													
2	0 1 0	1 1 1 1 1 x x x 0 0 0 0 0 x x x																													
3	0 1 1	0 0 0 0 0 x x x 1 1 1 1 1 x x x																													
4	1 0 0	x x 1 1 1 1 1 1 0 0 0 0 0 0 x x																													
5	1 0 1	x x 0 0 0 0 0 0 1 1 1 1 1 1 x x																													
6	1 1 0	1 1 1 x 0 0 0 x																													
7	1 1 1	0 0 0 x 1 1 1 x																													
1	1																														
1	SLH2	0																													
		1																													
0	SLH1	0																													
		1																													

Note: All registers are cleared to 0 when the IC is reset by the \overline{RST} pin.

LC74793, 74793JM

PDC/VPS Output Data Format

Data is read out in order starting with bit 7 of byte 1.

Output data		PDC 8/30/mode				VPS mode		Header time mode 1 (3)		Header time mode 2 (4)								
		Format1		Format2														
Byte1	Bit7	byte15	bit0	byte16	bit0	byte11	bit0	byte38	bit0	byte22	bit0							
	6											1	1	1	(30)	1	(14)	1
	5											2	2	2		2		2
	4											3	3	3		3		3
	3											4	byte17	bit0	4	4		4
	2											5		1	5	5		5
	1											6		2	6	6		6
	0											7		3	7	7		7
Byte2	Bit7	byte16	bit0	byte18	bit0	byte12	bit0	byte39	bit0	byte23	bit0							
	6											1	1	1	(31)	1	(15)	1
	5											2	2	2		2		2
	4											3	3	3		3		3
	3											4	byte19	bit0	4	4		4
	2											5		1	5	5		5
	1											6		2	6	6		6
	0											7		3	7	7		7
Byte3	Bit7	byte17	bit0	byte20	bit0	byte13	bit0	byte40	bit0	byte24	bit0							
	6											1	1	1	(32)	1	(16)	1
	5											2	2	2		2		2
	4											3	3	3		3		3
	3											4	byte21	bit0	4	4		4
	2											5		1	5	5		5
	1											6		2	6	6		6
	0											7		3	7	7		7
Byte4	Bit7	byte18	bit0	byte22	bit0	byte14	bit0	byte41	bit0	byte25	bit0							
	6											1	1	1	(33)	1	(17)	1
	5											2	2	2		2		2
	4											3	3	3		3		3
	3											4	byte23	bit0	4	4		4
	2											5		1	5	5		5
	1											6		2	6	6		6
	0											7		3	7	7		7
Byte5	Bit7	byte19	bit0	byte14	bit0	byte5	bit0	byte42	bit0	byte26	bit0							
	6											1	1	1	(34)	1	(18)	1
	5											2	2	2		2		2
	4											3	3	3		3		3
	3											4	byte15	bit0	4	4		4
	2											5		1	5	5		5
	1											6		2	6	6		6
	0											7		3	7	7		7
Byte6	Bit7	byte20	bit0	byte24	bit0	byte15	bit0	byte43	bit0	byte27	bit0							
	6											1	1	1	(35)	1	(19)	1
	5											2	2	2		2		2
	4											3	3	3		3		3
	3											4	byte25	bit0	4	4		4
	2											5		1	5	5		5
	1											6		2	6	6		6
	0											7		3	7	7		7

Continued on next page.

LC74793, 74793JM

Continued from preceding page.

Output data		PDC 8/30/mode				VPS mode	Header time mode 1 (3)		Header time mode 2 (4)									
		Format1		Format2			byte44	bit0	byte28	bit0								
Byte7	Bit7	byte21	bit0	byte13	bit0	1	byte44	bit0	byte28	bit0								
	6										1	1	(36)	1	(20)	1		
	5										2	1		2		2		
	4										3	1		3		3		
	3										4	1		4		4		
	2										5	1		5		5		
	1										6	1		6		6		
	0										7	1		7		7		
Byte8	Bit7	byte13	bit0	Error information 1	byte16	Error information	byte11	byte45	bit0	byte29	bit0							
	6											1	17	12	(37)	1	(21)	1
	5											2	18	13		2		2
	4											3	19	14		3		3
	3											4	20	5		4		4
	2											5	21	15		5		5
	1											6	22	0		6		6
	0											7	23	0		7		7
Byte9	Bit7	byte14	bit0	Error information 2	byte14		Error information	byte38 (30)	bit0	Error information	byte22 (14)	bit0						
	6												1	15	39 (31)	23 (15)		
	5												2	24	40 (32)	24 (16)		
	4												3	25	41 (33)	25 (17)		
	3												4	13	42 (34)	26 (18)		
	2												5	0	43 (35)	27 (19)		
	1												6	0	44 (36)	28 (20)		
	0												7	0	45 (37)	29 (21)		
Byte10	Bit7	byte22	bit0															
	6												1					
	5												2					
	4												3					
	3												4					
	2												5					
	1												6					
	0												7					
Byte11	Bit7	byte23	bit0															
	6												1					
	5												2					
	4												3					
	3												4					
	2												5					
	1												6					
	0												7					
Byte12	Bit7	byte24	bit0															
	6												1					
	5												2					
	4												3					
	3												4					
	2												5					
	1												6					
	0												7					
Byte13	Bit7	byte25	bit0															
	6												1					
	5												2					
	4												3					
	3												4					
	2												5					
	1												6					
	0												7					

Note: Data with the value 1 is output for sections for which there is no output data setting.

LC74793, 74793JM

Data is read out in order starting with bit 7 of byte 1.

Status display 1 and 2: 8/30/2 Status display 1 and 2: 8/30/1

Output data		Status display mode 1 (3)		Status display mode 2 (4)		PAL Puls
Byte1	Bit7	byte26	bit0	byte36	bit0	bit0
	6	(26)	1	(36)	1	1
	5		2		2	2
	4		3		3	3
	3		4		4	4
	2		5		5	5
	1		6		6	6
	0		7		7	7
Byte2	Bit7	byte27	bit0	byte37	bit0	bit8
	6	(27)	1	(37)	1	9
	5		2		2	10
	4		3		3	11
	3		4		4	12
	2		5		5	13
	1		6		6	0
	0		7		7	0
Byte3	Bit7	byte28	bit0	byte38	bit0	
	6	(28)	1	(38)	1	
	5		2		2	
	4		3		3	
	3		4		4	
	2		5		5	
	1		6		6	
	0		7		7	
Byte4	Bit7	byte29	bit0	byte39	bit0	
	6	(29)	1	(39)	1	
	5		2		2	
	4		3		3	
	3		4		4	
	2		5		5	
	1		6		6	
	0		7		7	
Byte5	Bit7	byte30	bit0	byte40	bit0	
	6	(30)	1	(40)	1	
	5		2		2	
	4		3		3	
	3		4		4	
	2		5		5	
	1		6		6	
	0		7		7	
Byte6	Bit7	byte31	bit0	byte41	bit0	
	6	(31)	1	(41)	1	
	5		2		2	
	4		3		3	
	3		4		4	
	2		5		5	
	1		6		6	
	0		7		7	

Note: Data with the value 1 is output for sections for which there is no output data setting.

Continued on next page.

LC74793, 74793JM

Continued from preceding page.

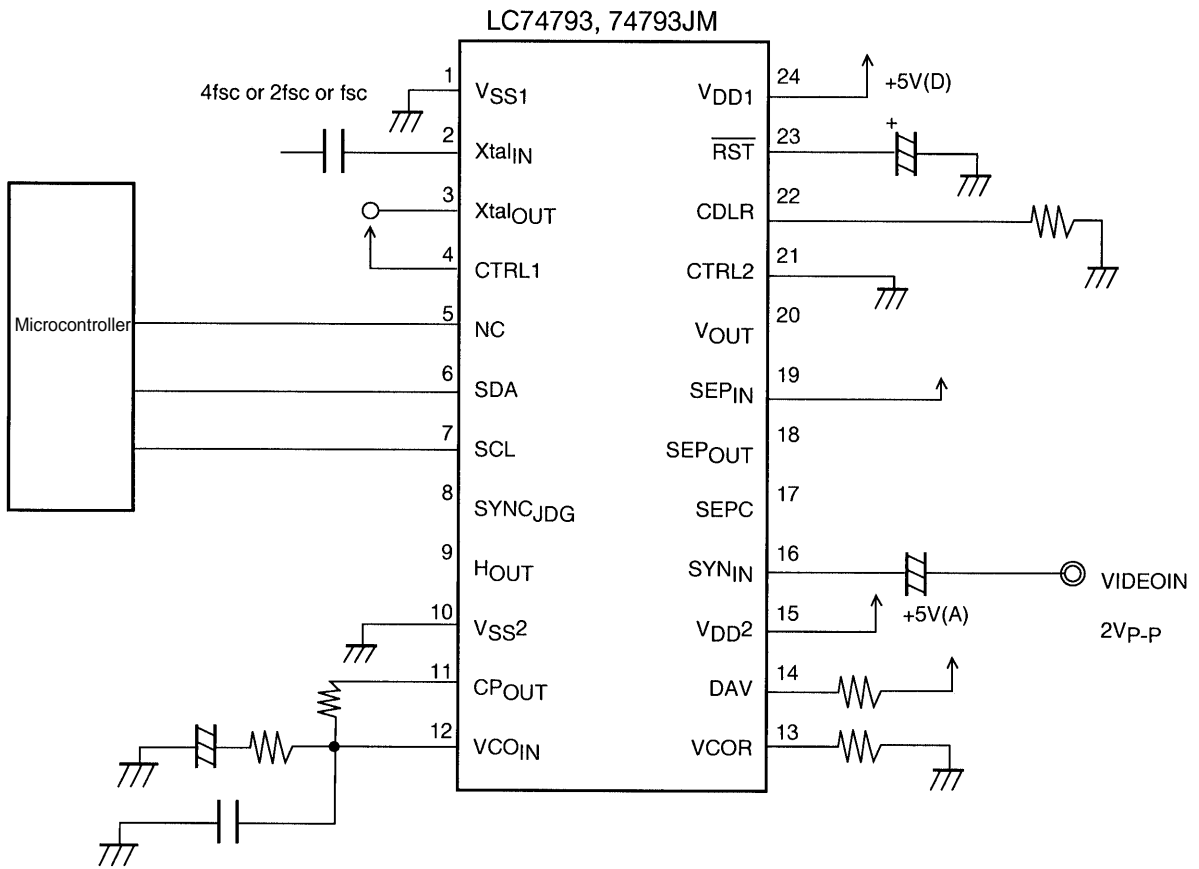
Output data		Status display mode 1 (3)		Status display mode 2 (4)		PAL Puls
Byte7	Bit7	byte32	bit0	byte42	bit0	
	6	(32)	1	(42)	1	
	5		2		2	
	4		3		3	
	3		4		4	
	2		5		5	
	1		6		6	
	0		7		7	
Byte8	Bit7	byte33	bit0	byte43	bit0	
	6	(33)	1	(43)	1	
	5		2		2	
	4		3		3	
	3		4		4	
	2		5		5	
	1		6		6	
	0		7		7	
Byte9	Bit7	byte34	bit0	byte44	bit0	
	6	(34)	1	(44)	1	
	5		2		2	
	4		3		3	
	3		4		4	
	2		5		5	
	1		6		6	
	0		7		7	
Byte10	Bit7	byte35	bit0	byte45	bit0	
	6	(35)	1	(45)	1	
	5		2		2	
	4		3		3	
	3		4		4	
	2		5		5	
	1		6		6	
	0		7		7	
Byte11	Bit7	Error	byte26 (26)	Error	byte36 (36)	
	6	information 1	27 (27)	information 1	37 (37)	
	5		28 (28)		38 (38)	
	4		29 (29)		39 (39)	
	3		30 (30)		40 (40)	
	2		31 (31)		41 (41)	
	1		32 (32)		42 (42)	
	0		33 (33)		43 (43)	
Byte12	Bit7	Error	byte34 (34)	Error	byte44 (44)	
	6	information 2	35 (35)	information 1	45 (45)	
	5	0		0		
	4	0		0		
	3	0		0		
	2	0		0		
	1	0		0		
	0	0		0		
Byte13	Bit7					
	6					
	5					
	4					
	3					
	2					
	1					
	0					

Note: Data with the value 1 is output for sections for which there is no output data setting.

LC74793, 74793JM

Sample Application Circuit

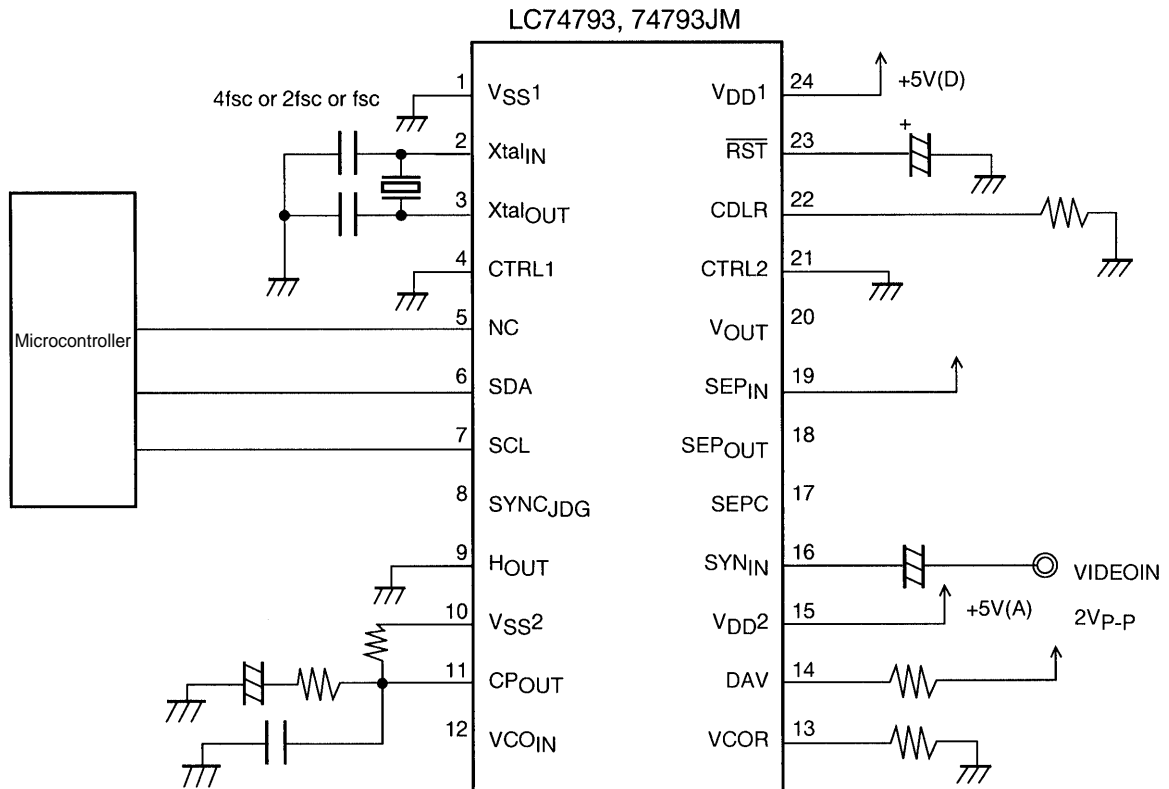
- Using an external system clock



A11053

LC74793, 74793JM

- Using a crystal oscillator



- Specifications of any and all SANYO products described or contained herein stipulate the performance, characteristics, and functions of the described products in the independent state, and are not guarantees of the performance, characteristics, and functions of the described products as mounted in the customer's products or equipment. To verify symptoms and states that cannot be evaluated in an independent device, the customer should always evaluate and test devices mounted in the customer's products or equipment.
- SANYO Electric Co., Ltd. strives to supply high-quality high-reliability products. However, any and all semiconductor products fail with some probability. It is possible that these probabilistic failures could give rise to accidents or events that could endanger human lives, that could give rise to smoke or fire, or that could cause damage to other property. When designing equipment, adopt safety measures so that these kinds of accidents or events cannot occur. Such measures include but are not limited to protective circuits and error prevention circuits for safe design, redundant design, and structural design.
- In the event that any or all SANYO products (including technical data, services) described or contained herein are controlled under any of applicable local export control laws and regulations, such products must not be exported without obtaining the export license from the authorities concerned in accordance with the above law.
- No part of this publication may be reproduced or transmitted in any form or by any means, electronic or mechanical, including photocopying and recording, or any information storage or retrieval system, or otherwise, without the prior written permission of SANYO Electric Co., Ltd.
- Any and all information described or contained herein are subject to change without notice due to product/technology improvement, etc. When designing equipment, refer to the "Delivery Specification" for the SANYO product that you intend to use.
- Information (including circuit diagrams and circuit parameters) herein is for example only; it is not guaranteed for volume production. SANYO believes information herein is accurate and reliable, but no guarantees are made or implied regarding its use or any infringements of intellectual property rights or other rights of third parties.

This catalog provides information as of December, 1998. Specifications and information herein are subject to change without notice.