

MMD60R580P

600V 0.58Ω N-channel MOSFET

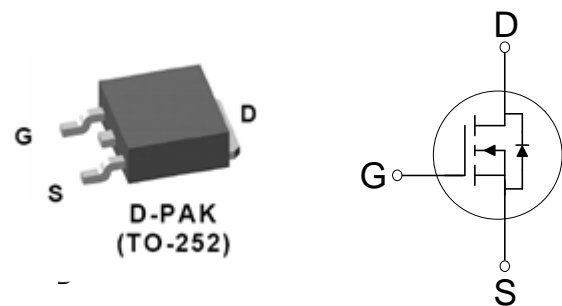
■ Description

MMD60R580P is power MOSFET using magnachip's advanced super junction technology that can realize very low on-resistance and gate charge. It will provide much high efficiency by using optimized charge coupling technology. These user friendly devices give an advantage of Low EMI to designers as well as low switching loss.

■ Key Parameters

| Parameter | Value | Unit |
|----------------------|-------|------|
| $V_{DS} @ T_{j,max}$ | 650 | V |
| $R_{DS(on),max}$ | 0.58 | Ω |
| $V_{TH,typ}$ | 3 | V |
| I_D | 8 | A |
| $Q_{g,typ}$ | 18 | nC |

■ Package & Internal Circuit



■ Features

- Low Power Loss by High Speed Switching and Low On-Resistance
- 100% Avalanche Tested
- Green Package – Pb Free Plating, Halogen Free

■ Applications

- PFC Power Supply Stages
- Switching Applications
- Adapter
- Motor Control
- DC – DC Converters

■ Ordering Information

| Order Code | Marking | Temp. Range | Package | Packing | RoHS Status |
|--------------|---------|-------------|----------------|-------------|--------------|
| MMD60R580PRH | 60R580P | -55 ~ 150°C | D-PAK (TO-252) | Reel & Tape | Halogen Free |

■ Absolute Maximum Rating ($T_c=25^\circ\text{C}$ unless otherwise specified)

| Parameter | Symbol | Rating | Unit | Note |
|--|-----------|----------|------------------|-------------------------|
| Drain – Source voltage | V_{DSS} | 600 | V | |
| Gate – Source voltage | V_{GSS} | ± 30 | V | |
| Continuous drain current | I_D | 8 | A | $T_c=25^\circ\text{C}$ |
| | | 5 | A | $T_c=100^\circ\text{C}$ |
| Pulsed drain current ⁽¹⁾ | I_{DM} | 24 | A | |
| Power dissipation | P_D | 70 | W | |
| Single - pulse avalanche energy | E_{AS} | 170 | mJ | |
| MOSFET dv/dt ruggedness | dv/dt | 50 | V/ns | |
| Diode dv/dt ruggedness | dv/dt | 15 | V/ns | |
| Storage temperature | T_{stg} | -55 ~150 | $^\circ\text{C}$ | |
| Maximum operating junction temperature | T_j | 150 | $^\circ\text{C}$ | |

1) Pulse width t_p limited by $T_{j,max}$

2) $I_{SD} \leq I_D, V_{DS\ peak} \leq V_{(BR)DSS}$

■ Thermal Characteristics

| Parameter | Symbol | Value | Unit |
|--|------------|-------|--------------------|
| Thermal resistance, junction-case max | R_{thjc} | 1.8 | $^\circ\text{C/W}$ |
| Thermal resistance, junction-ambient max | R_{thja} | 62.5 | $^\circ\text{C/W}$ |

■ Static Characteristics ($T_c=25^\circ\text{C}$ unless otherwise specified)

| Parameter | Symbol | Min. | Typ. | Max. | Unit | Test Condition |
|----------------------------------|---------------|------|------|------|----------|---------------------------------|
| Drain – Source Breakdown voltage | $V_{(BR)DSS}$ | 600 | - | - | V | $V_{GS} = 0V, I_D=0.25mA$ |
| Gate Threshold Voltage | $V_{GS(th)}$ | 2 | 3 | 4 | V | $V_{DS} = V_{GS}, I_D=0.25mA$ |
| Zero Gate Voltage Drain Current | I_{DSS} | - | - | 1 | μA | $V_{DS} = 600V, V_{GS} = 0V$ |
| Gate Leakage Current | I_{GSS} | - | - | 100 | nA | $V_{GS} = \pm 30V, V_{DS} = 0V$ |
| Drain-Source On State Resistance | $R_{DS(ON)}$ | - | 0.53 | 0.58 | Ω | $V_{GS} = 10V, I_D = 2.5 A$ |

■ Dynamic Characteristics ($T_c=25^\circ\text{C}$ unless otherwise specified)

| Parameter | Symbol | Min. | Typ. | Max. | Unit | Test Condition |
|--|--------------|------|------|------|----------|--|
| Input Capacitance | C_{iss} | - | 575 | - | pF | $V_{DS} = 25V, V_{GS} = 0V, f = 1.0MHz$ |
| Output Capacitance | C_{oss} | - | 428 | - | | |
| Reverse Transfer Capacitance | C_{rss} | - | 25 | - | | |
| Effective Output Capacitance Energy Related ⁽³⁾ | $C_{o(er)}$ | - | 18 | - | | $V_{DS} = 0V \text{ to } 480V, V_{GS} = 0V, f = 1.0MHz$ |
| Turn On Delay Time | $t_{d(on)}$ | - | 14 | - | ns | $V_{GS} = 10V, R_G = 25\Omega, V_{DS} = 300V, I_D = 8 A$ |
| Rise Time | t_r | - | 34 | - | | |
| Turn Off Delay Time | $t_{d(off)}$ | - | 48 | - | | |
| Fall Time | t_f | - | 25 | - | | |
| Total Gate Charge | Q_g | - | 18 | - | nC | $V_{GS} = 10V, V_{DS} = 480V, I_D = 8 A$ |
| Gate – Source Charge | Q_{gs} | - | 5 | - | | |
| Gate – Drain Charge | Q_{gd} | - | 7 | - | | |
| Gate Resistance | R_G | - | 4.3 | - | Ω | $V_{GS} = 0V, f = 1.0MHz$ |

3) $C_{o(er)}$ is a capacitance that gives the same stored energy as C_{oss} while V_{DS} is rising from 0V to 80% $V_{(BR)DSS}$

■ Reverse Diode Characteristics ($T_c=25^\circ\text{C}$ unless otherwise specified)

| Parameter | Symbol | Min. | Typ. | Max. | Unit | Test Condition |
|----------------------------------|-----------|------|------|------|---------------|--|
| Continuous Diode Forward Current | I_{SD} | - | - | 8 | A | |
| Diode Forward Voltage | V_{SD} | - | - | 1.4 | V | $I_{SD} = 8\text{ A}, V_{GS} = 0\text{ V}$ |
| Reverse Recovery Time | t_{rr} | - | 303 | - | ns | $I_{SD} = 8\text{ A}$ $di/dt = 100\text{ A}/\mu\text{s}$ $V_{DD} = 100\text{ V}$ |
| Reverse Recovery Charge | Q_{rr} | - | 2.4 | - | μC | |
| Reverse Recovery Current | I_{rrm} | - | 15.6 | - | A | |

■ Characteristic Graph

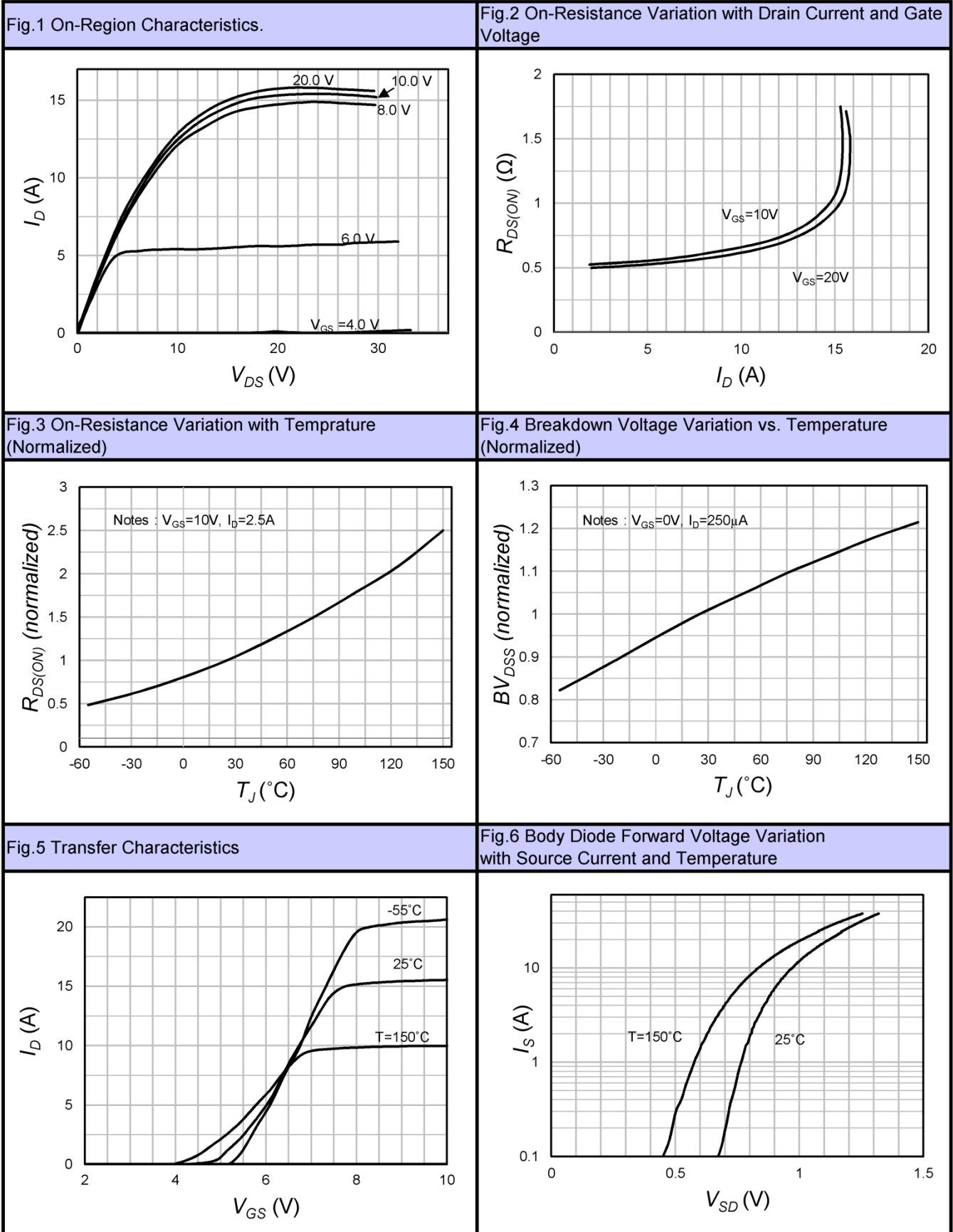


Fig.7 Gate Charge Characteristics

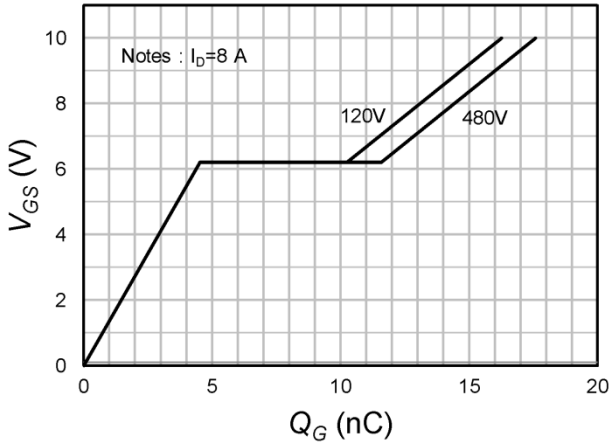


Fig.8 Capacitance Characteristics

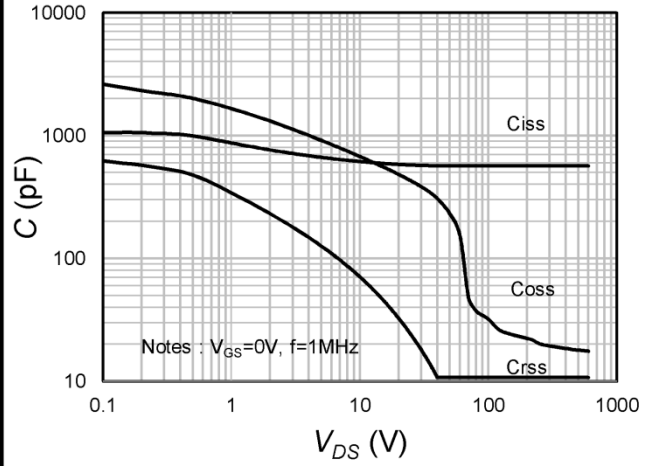


Fig.9 $V_{GS(th)}$ Variation with Temperature (Normalized)

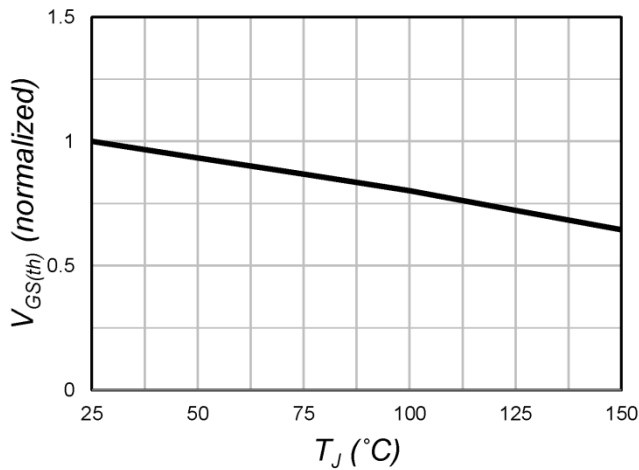


Fig.10 Maximum Drain Current vs. Case Temperature

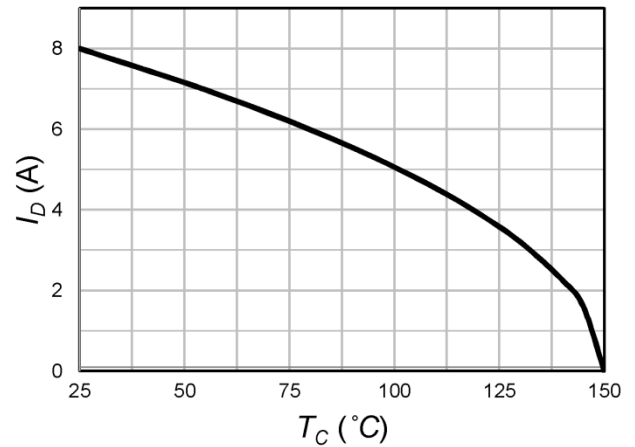


Fig.11 Single Pulse Maximum Power Dissipation

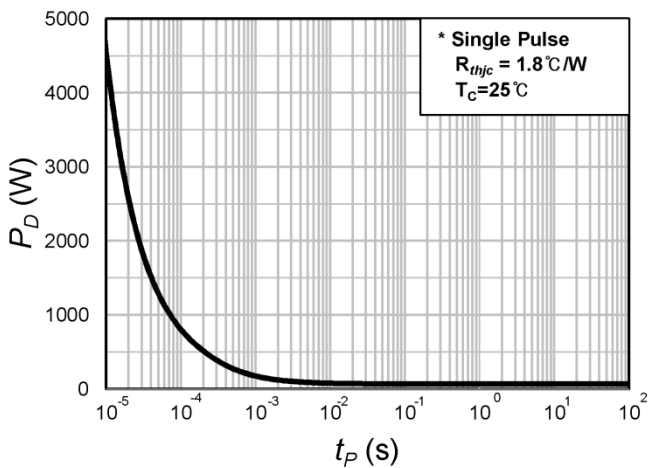


Fig.12 Output Capacitance Stored Energy

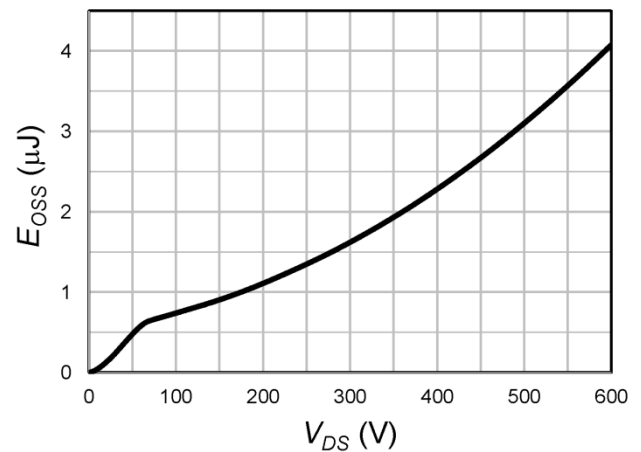


Fig.13 Transient Thermal Response Curve

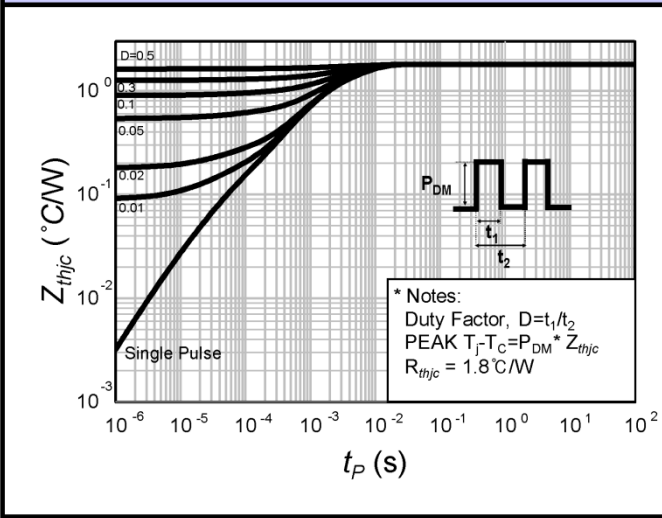
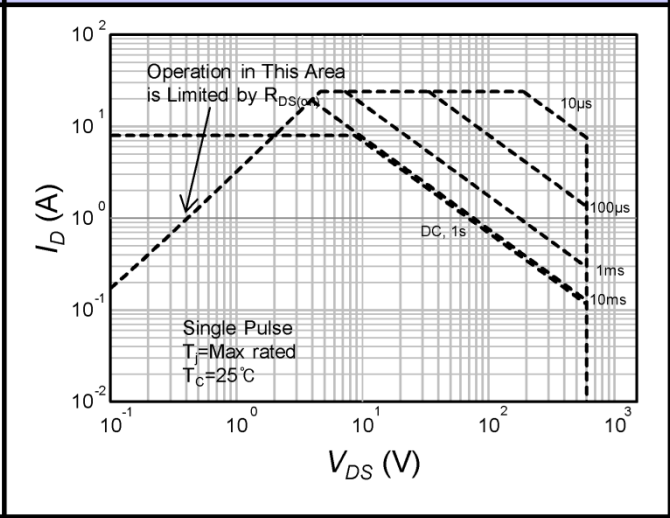


Fig.14 Maximum Safe Operating Area



■ Test Circuit

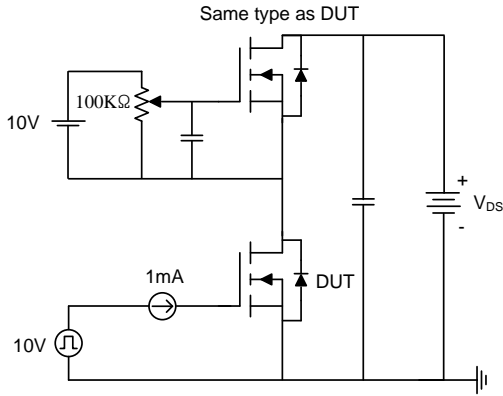


Fig15-1. Gate charge measurement circuit

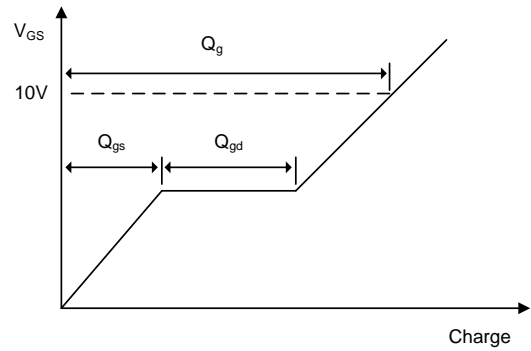


Fig15-2. Gate charge waveform

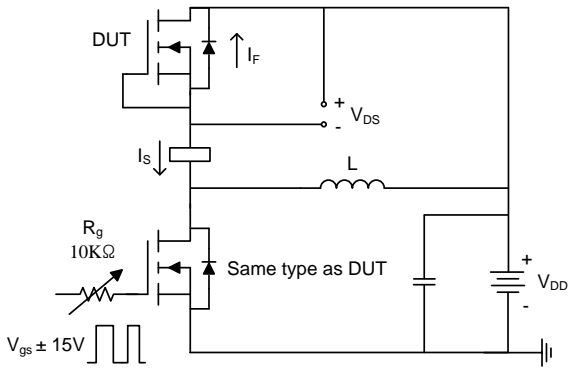


Fig16-1. Diode reverse recovery test circuit

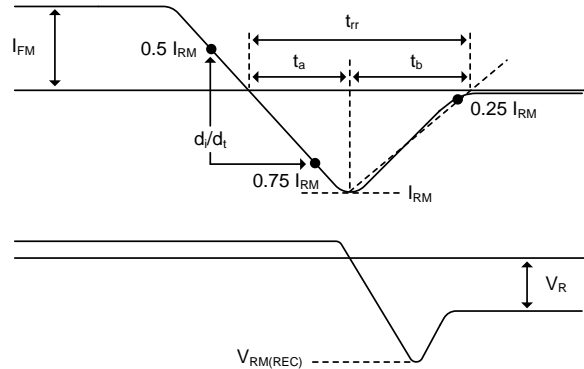


Fig16-1. Diode reverse recovery test waveform

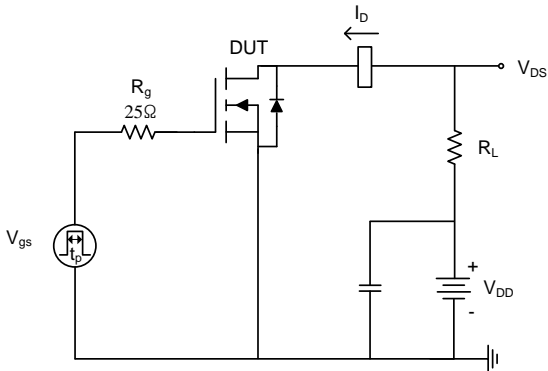


Fig17-1. Switching time test circuit for resistive load

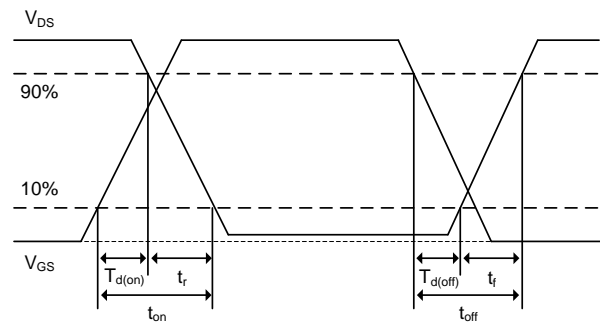


Fig17-2. Switching time waveform

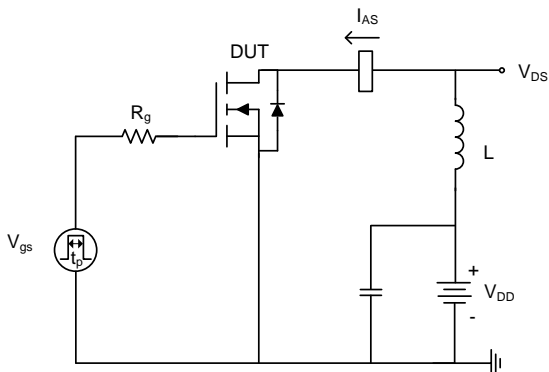


Fig18-1. Unclamped inductive load test circuit

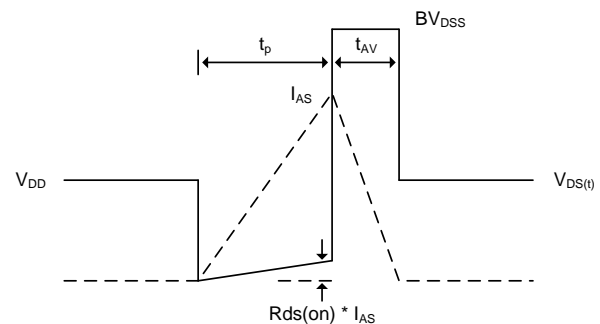
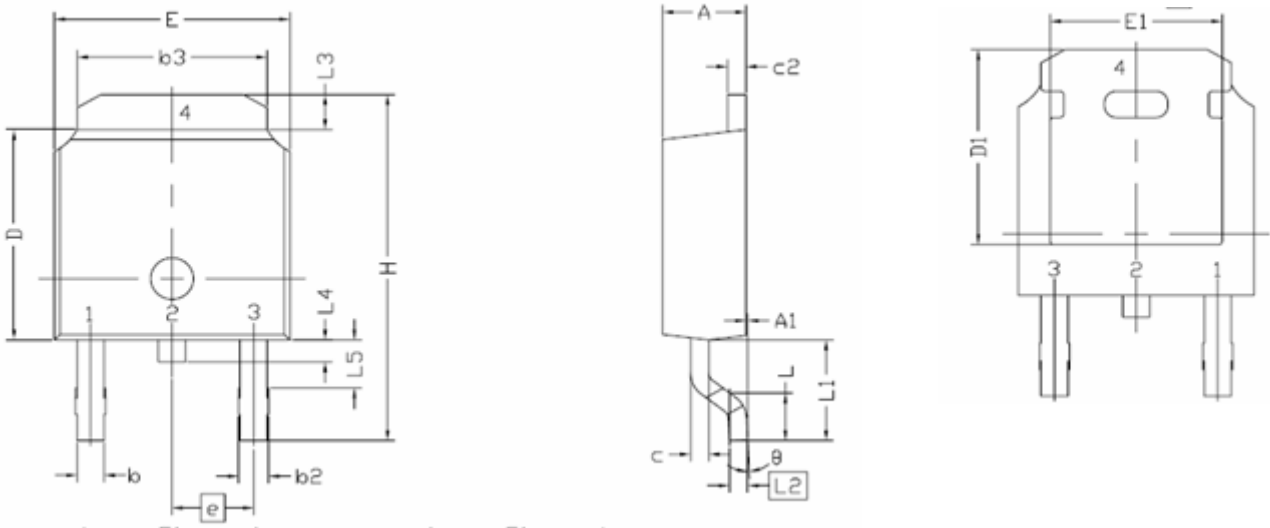


Fig18-2. Unclamped inductive waveform

■ Physical Dimension

TO-252 (D-PAK) , 3L


Dimensions are in millimeters, unless otherwise specified



| Symbol | Min. | Nom. | Max. |
|--------|-----------|------|-------|
| E | 6,35 | - | 6,73 |
| L | 1,40 | 1,52 | 1,78 |
| L1 | 2,74 REF | | |
| L2 | 0,508 BCS | | |
| L3 | 0,89 | - | 1,27 |
| L4 | - | - | 1,02 |
| L5 | 1,14 | - | 1,52 |
| D | 5,97 | 6,10 | 6,22 |
| H | 9,40 | - | 10,41 |
| b | 0,64 | - | 0,89 |
| b2 | 0,76 | - | 1,14 |
| b3 | 4,95 | - | 5,46 |
| e | 2,286 BSC | | |
| A | 2,18 | - | 2,39 |
| A1 | - | - | 0,13 |
| c | 0,46 | - | 0,61 |
| c2 | 0,46 | - | 0,89 |
| D1 | 5,21 | - | - |
| E1 | 4,32 | - | - |
| ⌀ | 0,00 | - | 10,00 |

DISCLAIMER:

The Products are not designed for use in hostile environments, including, without limitation, aircraft, nuclear power generation, medical appliances, and devices or systems in which malfunction of any Product can reasonably be expected to result in a personal injury. Seller's customers using or selling Seller's products for use in such applications do so at their own risk and agree to fully defend and indemnify Seller.

MagnaChip reserves the right to change the specifications and circuitry without notice at any time. MagnaChip does not consider responsibility for use of any circuitry other than circuitry entirely included in a MagnaChip product.  is a registered trademark of MagnaChip Semiconductor Ltd.