

NNC68A-2Z Electromagnetic Relay (JQX-13F-2Z Relay Switch)

The NNC68A-2Z electromagnetic relay (JQX-13F-2Z relay switch) can be applied to household appliances, PCB circuit board, industrial control system and automatic control system, etc.



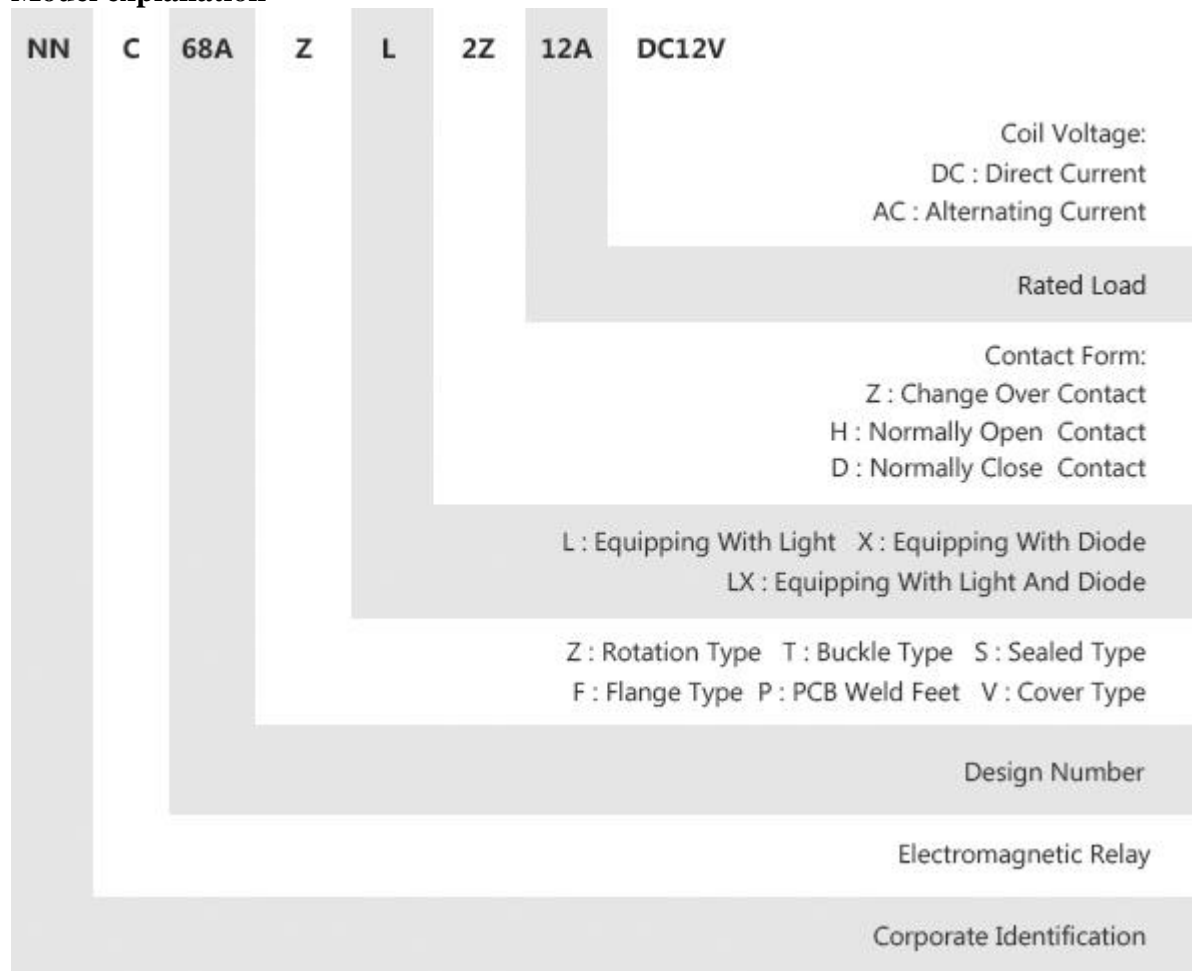
Features

- The NNC68A-2Z electromagnetic relay (JQX-13F-2Z relay switch) provides changeover contacts that include one group of (15A), two groups of (12A), three groups of (12A), and four group of (12A).
- The device provides the PCB print installation mode, socket type installation mode and flange installation mode.

Identification

CCC: 2011010303473351
 CQC: CQC14002115332
 CE: 5399090516
 TUV: R50260442
 UL:E235027

Model explanation



Contact parameters

Contact form	2Z,2H,2D
Contact load	12A
Maximum switching voltage	240VAC 12A 28VDC 12A
Contact material	Silver alloy

Relay coil

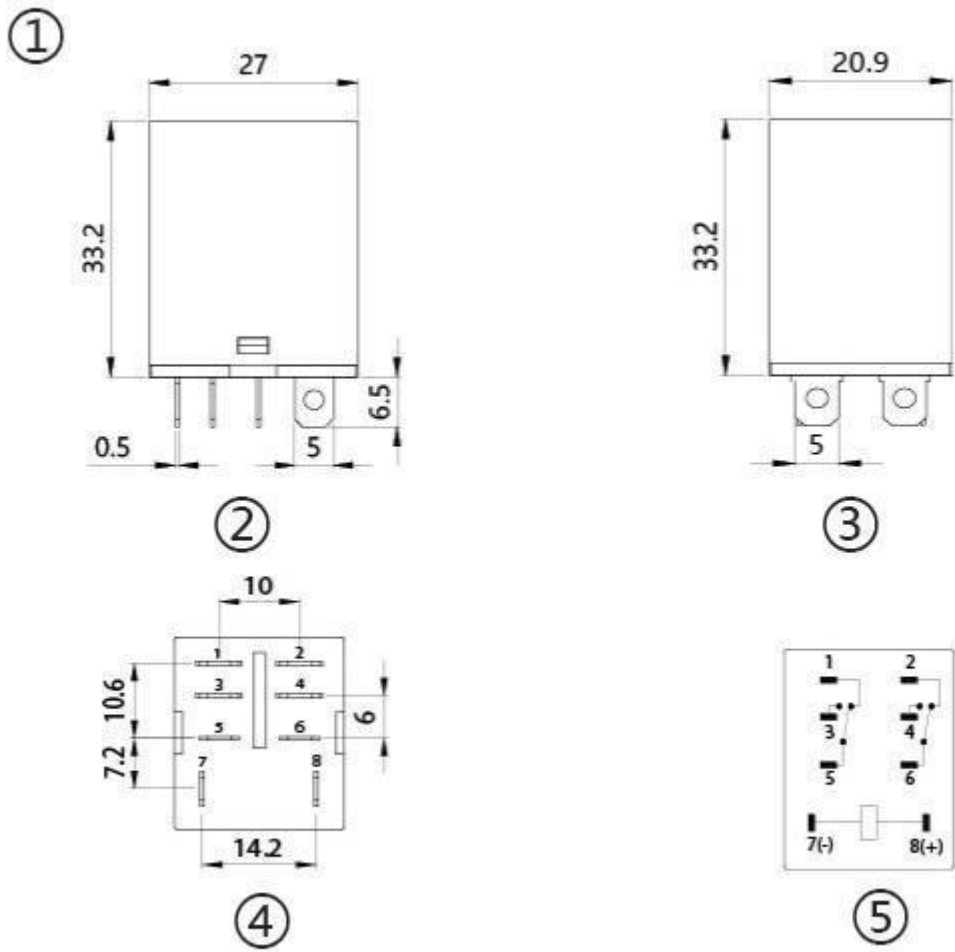
Rated voltage V	DC12V	DC24V	DC110V	DC220V
Rated current ($\pm 10\%$) mA	75	37.5	8	4
Coil resistance ($\pm 10\%$) Ω	160	640	13750	55000
Rated power consumption W	0.9W			
Pull-in voltage (Maximum)V	Below 75%			
Drop-out voltage(Minimum)V	Above 10%			
Allowable voltage(Maximum) V	Rated voltage $\times 110\%$			
Rated voltage V	AC12V	AC24V	AC110V	AC220V
Rated current ($\pm 10\%$) mA	100	50	10.9	5.4
Coil resistance ($\pm 10\%$) Ω	42	168	3532	14259
Rated power consumption W	1.2VA			
Pull-in voltage (Maximum)V	Below 80%			
Drop-out voltage(Minimum)V	Above 30%			
Allowable voltage(Maximum) V	Rated voltage $\times 110\%$			

Specification of NNC68A-2Z electromagnetic relay (JQX-13F-2Z relay switch)

Coil voltage	DC: 6 - 220V, AC: 6-380V	
Pull-in time	$\leq 15\text{ms}$	
Drop-out time	$\leq 10\text{ms}$	
Withstand voltage	Between the homopolar contacts	1000VAC/1min(Leakage current 1mA)
	Between the heteropolar contacts	1000VAC/1min(Leakage current 1mA)
	Between contacts and coil	1500VAC/1min(Leakage current 1mA)
Dimension	27.3 \times 21 \times 35mm	
Weight	About 35g	

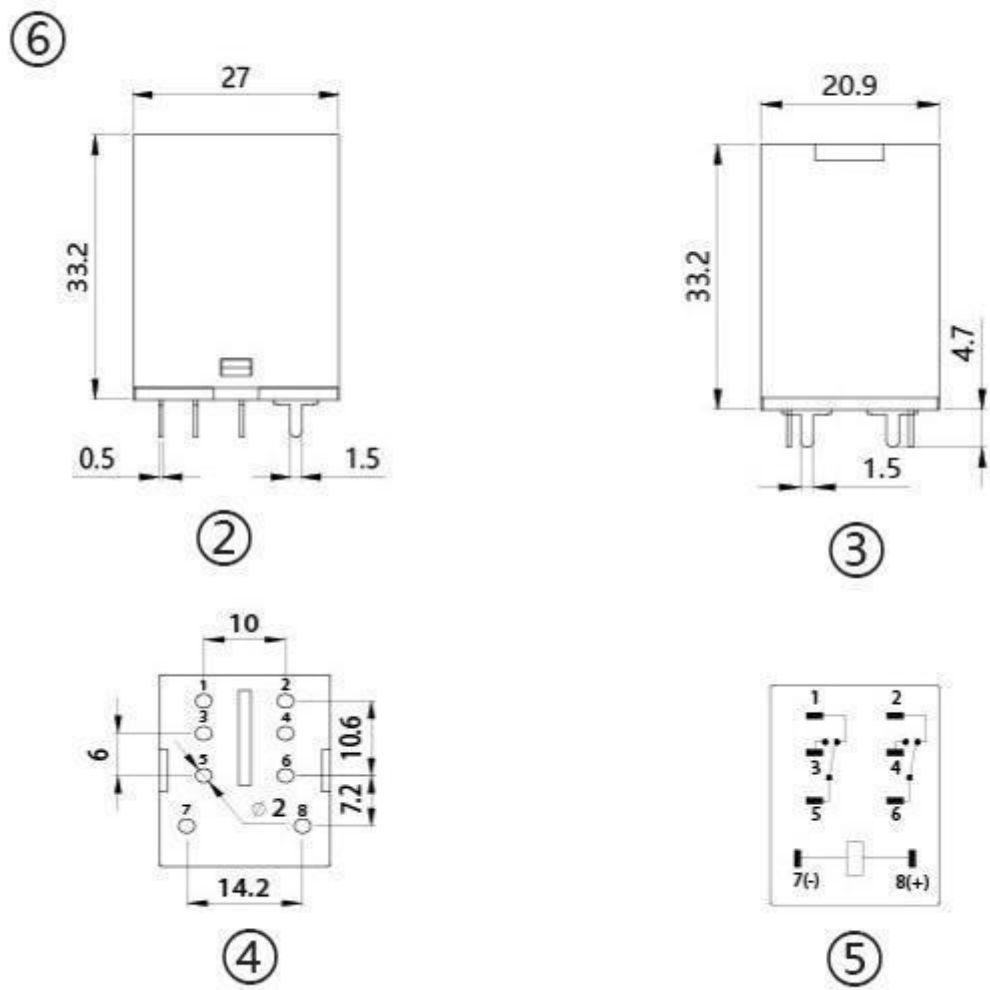
Dimension and installation

Socket type terminal



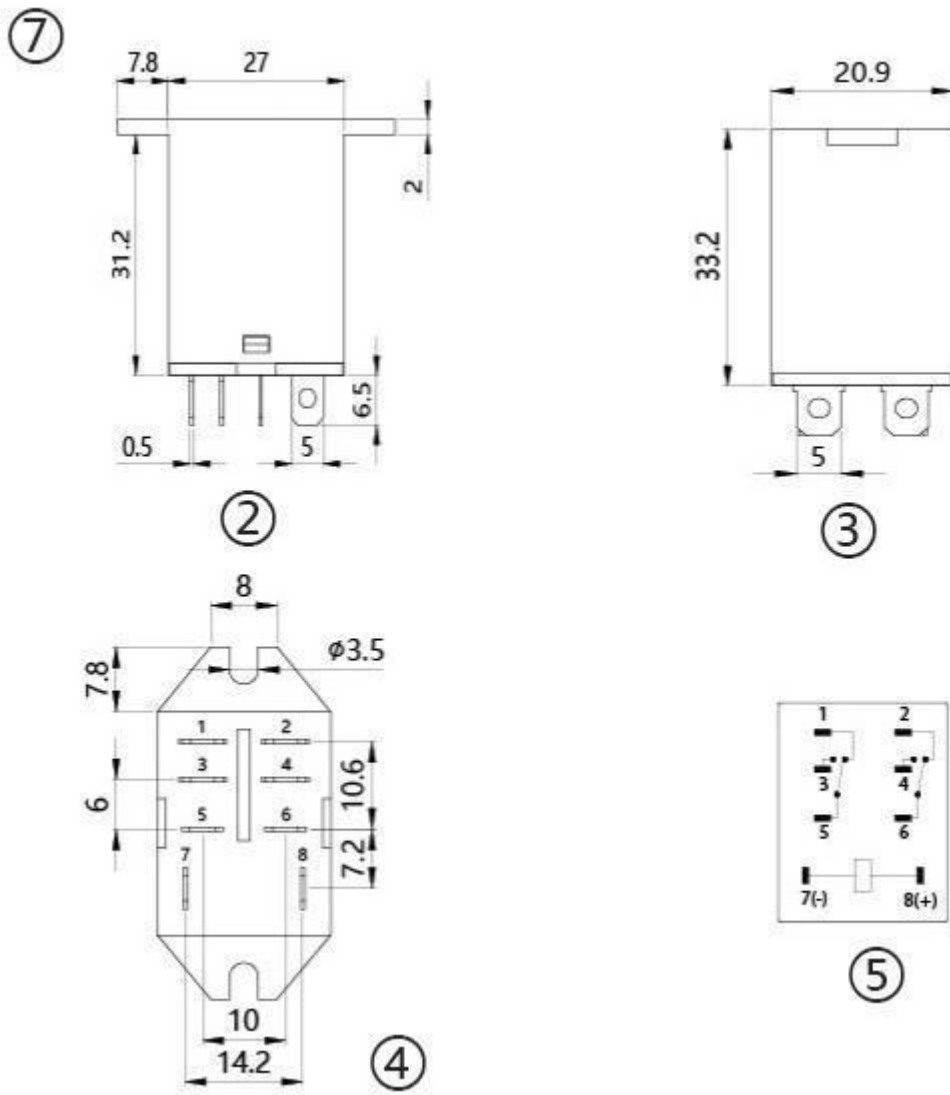
① Front view; ② Side view; ③ Installation size; ④ Wiring diagram

Welded type terminal



① Front view; ② Side view; ③ Installation size; ④ Wiring diagram

Flange type installation



① Front view; ② Side view; ③ Installation size; ④ Wiring diagram