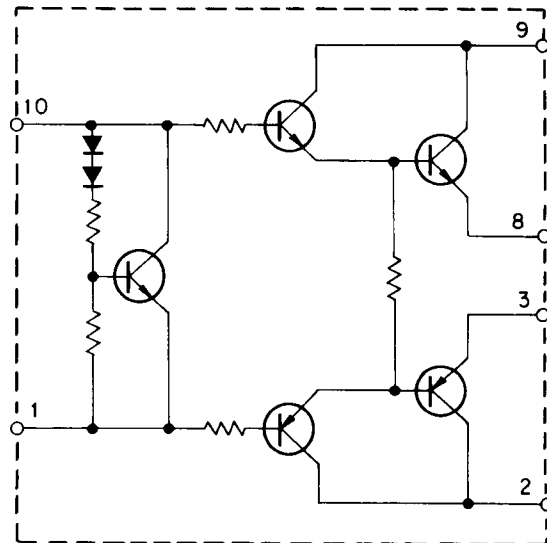


APPLICATION	50W MIN. AF POWER AMPLIFIER OUTPUT STAGE (D. P. P.)	NAME	STK-0050 (A)
MODEL	SX-780	TYPE	HYBRID LINEAR IC

EQUIVALENT CIRCUIT



PIN FUNCTION

Pin No.	Function
1	Input (-)
2	Negative power supply
3	Output
4	NC
5	
6	
7	
8	Output
9	Positive power supply
10	Input (+)

STK