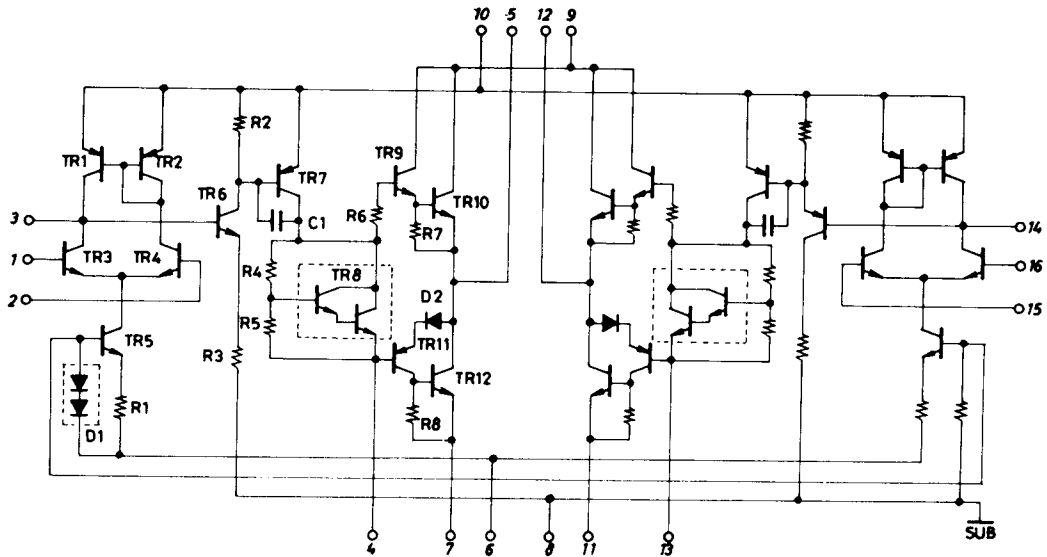


Output	V _N	STK 4773	STK 4793	STK 4803	STK 4813	STK 4833	STK 4843	STK 4853	unit
Middle Point Voltage		→	→	→	→	→	→	-70to+70	mV

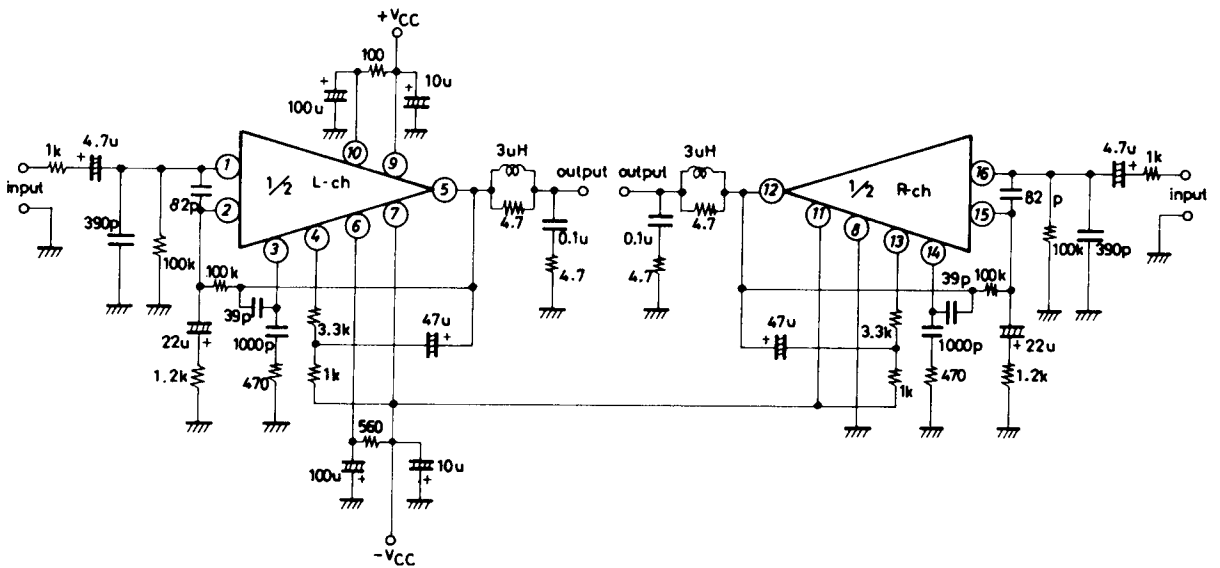
EQUIVALENT CIRCUIT



STK4773, 4793, 4803, 4813, 4833, 4843, 4853

APPLICATION

2-channel 10 to 30Wmin AF power amp.



STK4773, 4793, 4803, 4813, 4833, 4843, 4853