

TCA280A

– Trigger Integrated Circuit

GENERAL DESCRIPTION

The TCA280A is a monolithic integrated circuit designed for thyristor and triac control circuits.

Possible modes of operation with the TCA280A are: phase control—synchronous on/off switching (static switch)—time proportional control.

QUICK REFERENCE DATA

Supply voltage—normal AC mains
using simple power supply—
or DC supply 14V
Output trigger pulse 250mA
Ambient temp. range –20 to +80°C

REFERENCE TABLE

TYPE NO.	STOCK NO.	OUTLINE DRWG. NO.
TCA280A	53539H	2

TBA673 – Modulator/Demodulator

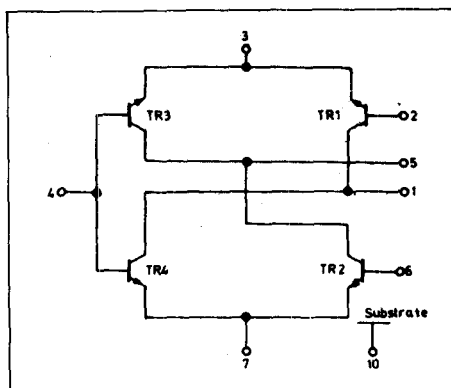
GENERAL DESCRIPTION

The TBA673 is a monolithic integrated circuit comprising a 4-transistor modulator/demodulator circuit. The circuit, being made on a single crystal, ensures a great similarity in the characteristics of the individual transistors and optimal tracking of their parameters with temperature variation. Consequently, the TBA673 gives better balancing and therefore less carrier leakage than a conventional circuit. The use of transistors instead of diodes provides a better isolation between input and output circuits.

QUICK REFERENCE DATA

I_{CB0}	Collector-base leakage current $V_{CB} = 5.0V, T_{amb} = 25^{\circ}C$	<100nA
$V_{BE1} - V_{BE2}$	Base-emitter voltage difference between transistors TR1-TR2, TR3-TR4	
$V_{BE3} - V_{BE4}$	$V_{CB1} = V_{CB2} = V_{CB3} = V_{CB4} = 5.0V$ $-I_{E1} = -I_{E2} = -I_{E3} = -I_{E4} = -150\mu A$	<5.0mV
$h_{FB1} - h_{FB2}$	Common base current amplification difference between transistors TR1-TR2	
$h_{FB3} - h_{FB4}$	$V_{CB1} = V_{CB2} = V_{CB3} = V_{CB4} \approx 5.0V$ $-I_{E1} = -I_{E2} = -I_{E3} = -I_{E4} = -150\mu A$	<0.008

CIRCUIT DIAGRAM

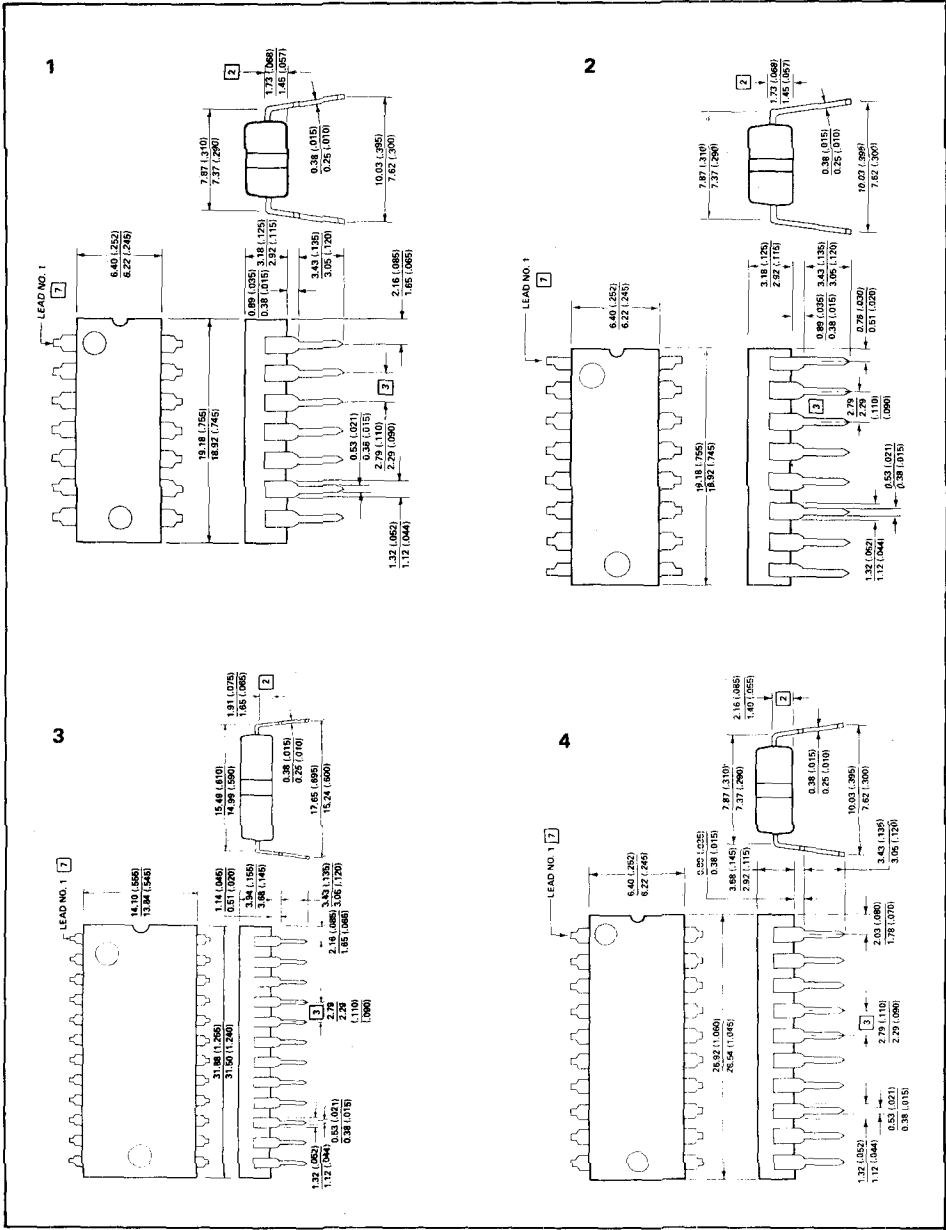


REFERENCE TABLE

TYPE NO.	STOCK NO.	OUTLINE DRWG. NO.
TBA673	53943F	10

PLEASE QUOTE STOCK NO.
AND MANUFACTURERS PART NO. WHEN ORDERING

TTT GEMINI

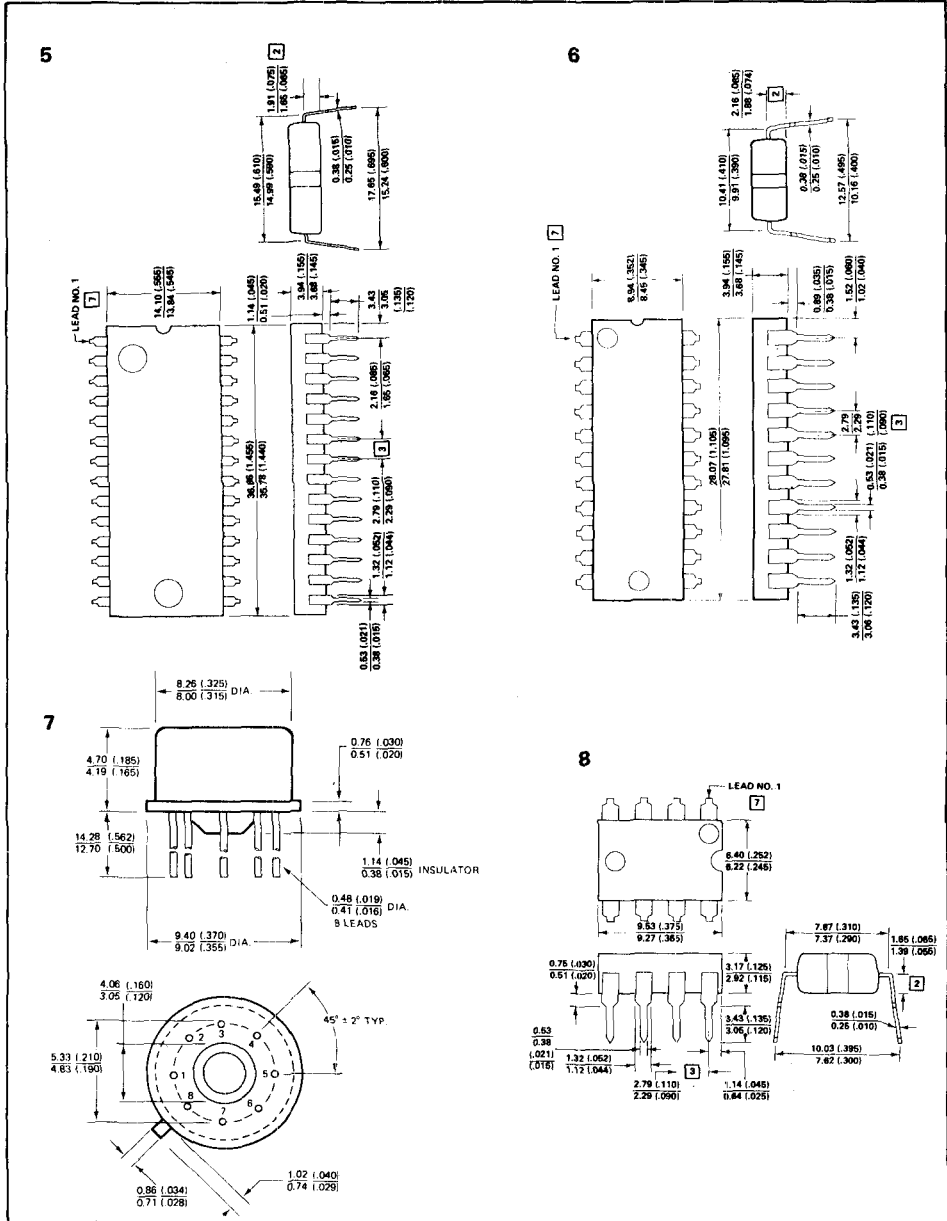


PLEASE QUOTE STOCK NO.
AND MANUFACTURERS PART NO. WHEN ORDERING



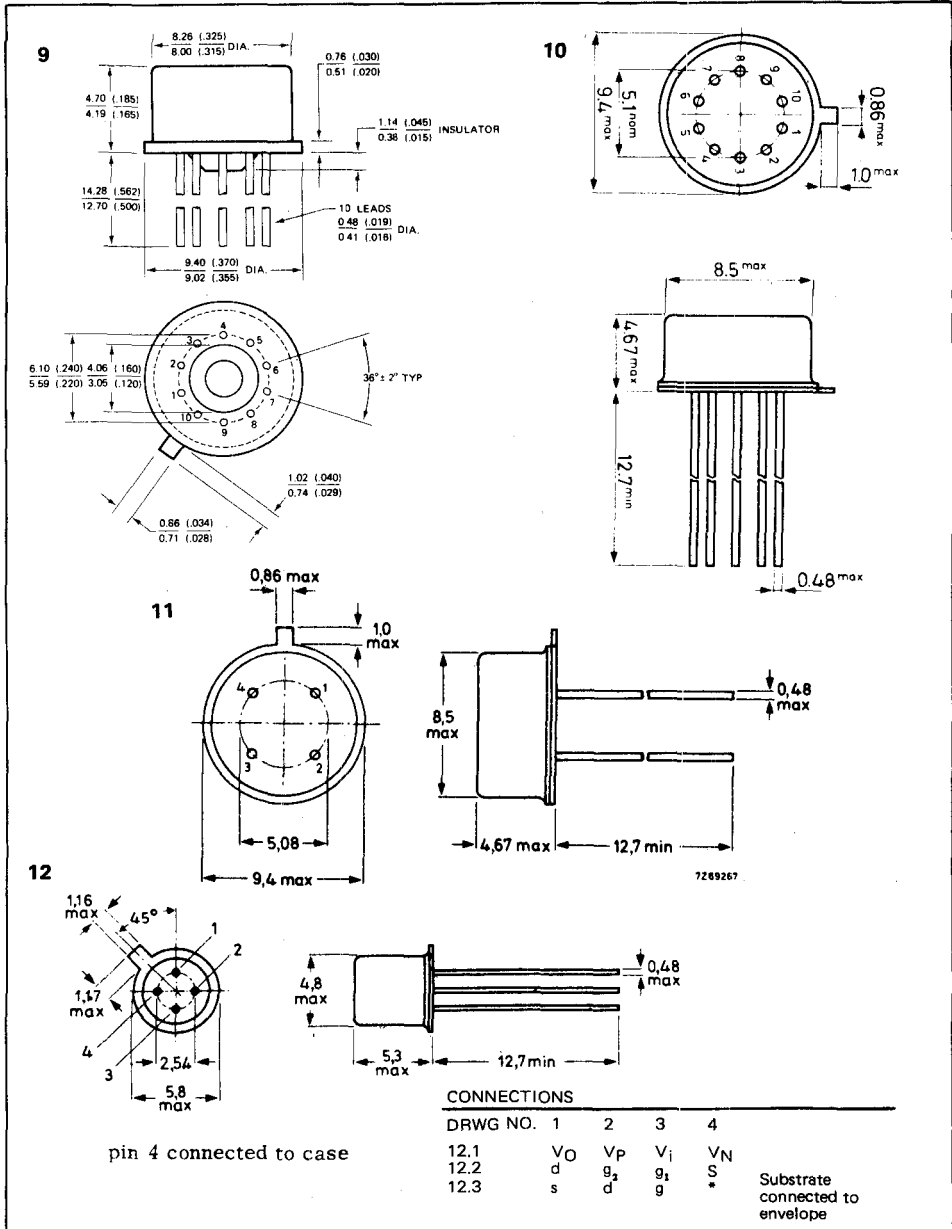
Signetics

Outline Drawings



GEMINI

FOR CURRENT PRICES PHONE
HARLOW (0279) 29644

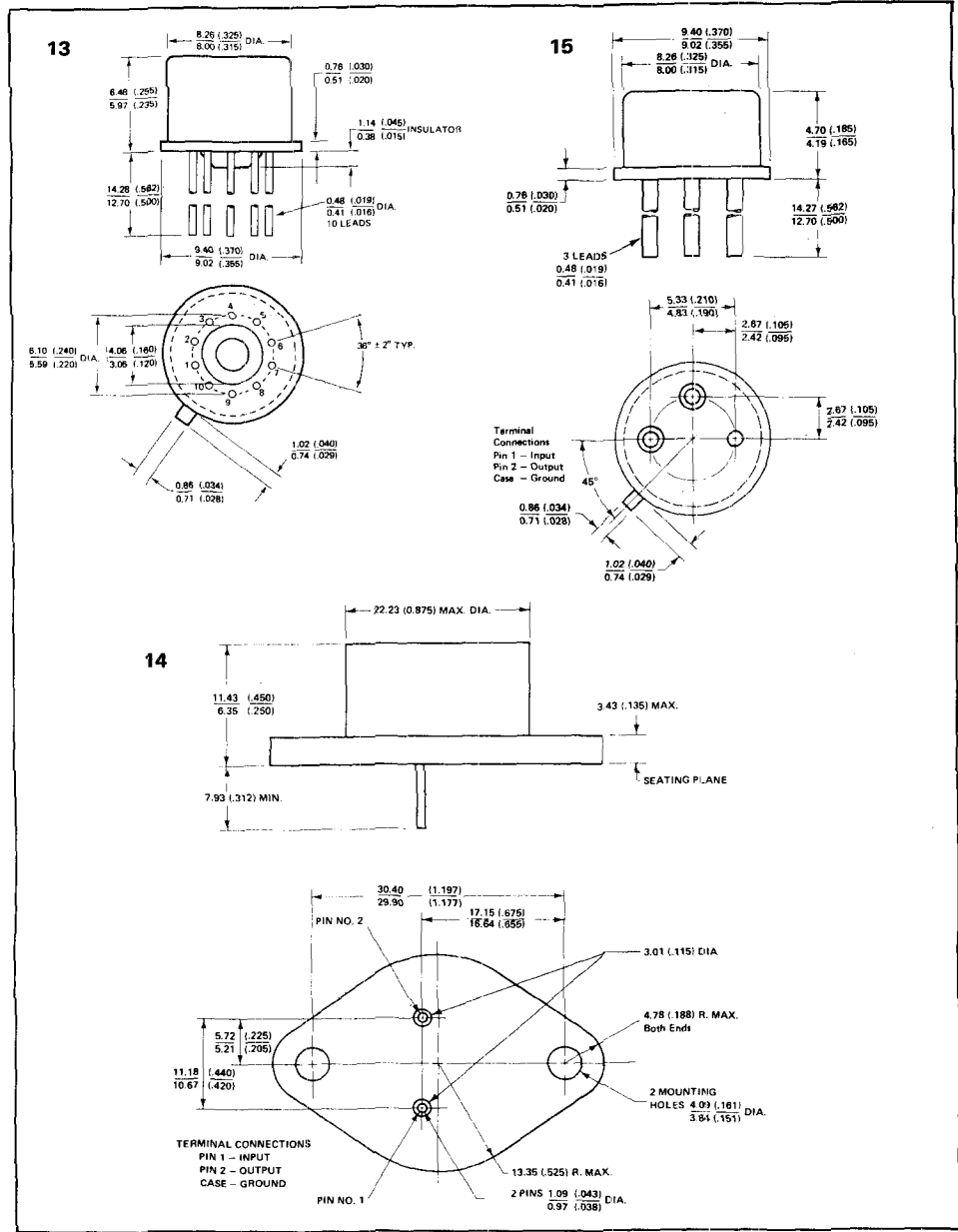


PLEASE QUOTE STOCK NO.
AND MANUFACTURERS PART NO. WHEN ORDERING

ITT GEMINI

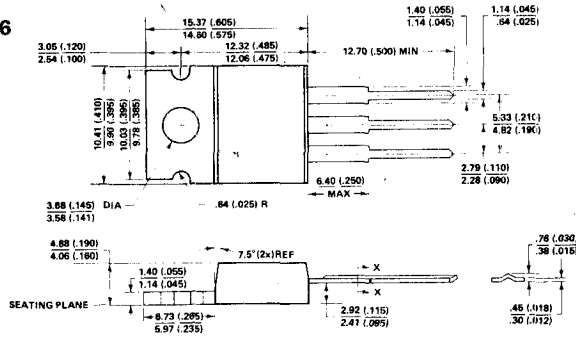
Signetics

Outline Drawings

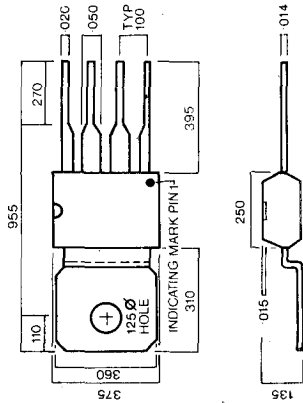


FOR CURRENT PRICES PHONE HARLOW (0279) 29644

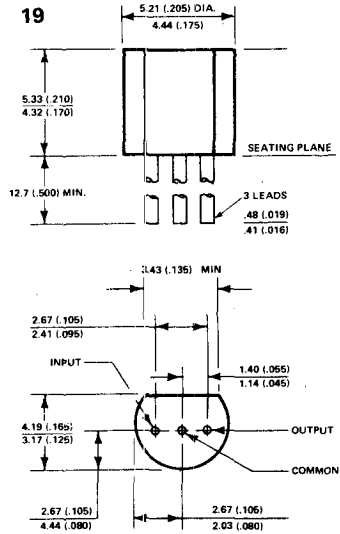
16



17



19



PLEASE QUOTE STOCK NO.
AND MANUFACTURER'S PART NO. WHEN ORDERING

TTT GEMINI

